

SIGMA



PARTS & ELECTRICAL SCHEMATICS MANUAL

Published by:

Westomatic Vending Services Ltd.
Shaldon Road
Newton Abbot
Devon
TQ12 4TZ
United Kingdom

www.westomatic.com

Switchboard: +44 (0) 1626 323100
Sales FAX: +44 (0) 1626 369400
Part Sales FAX: +44 (0) 1626 332727

Westomatic Vending Services Ltd. reserves the right to change the product specifications at any time. While every effort has been made to ensure that the information in this publication is accurate, Westomatic Vending Services Ltd disclaims any liability for any direct or indirect losses howsoever caused arising out of use or reliance on this information.

Information contain herein is correct at time of print:

Revision list:

This manual	Draft Issue	June 2010
This manual	1st Issue	August 2010

TABLE OF CONTENTS

1.	SIGMA DOCUMENTATION AVAILABLE.....	5
1.	WIRING DIAGRAMS	6
1.1.	DC WIRING	6
1.2.	AC WIRING	7
2.	PROCESSOR BOARD INFORMATION	8
3.	DIGITAL INPUTS & OUTPUTS	9
4.	SIGMA ASSEMBLY DRAWINGS.....	13
4.1.	SIGMA - CABINET ASSEMBLY 201753.....	13
4.2.	SIGMA BOILER ASSEMBLY 201595	15
4.3.	SIGMA COMMON WHIPPER DECK ASSEMBLY 201791	17
4.4.	SIGMA MOVING DISPENSE HEAD ASSY 201723.....	18
4.5.	MDH MECH UNIT ASSY SIGMA V2 201830.....	19
4.6.	EXTRACTION FAN ASSY SIGMA 201725.....	21
4.7.	FUSE AND DISTRIBUTION BOX SIGMA 201728.....	22
4.8.	SIGMA INLET VALVE ASSEMBLY 201790.....	23
4.9.	WHIPPER DECK ASSEMBLY ALL INSTANT S 201738	24
4.10.	WHIPPER DECK ASSEMBLY 2 BREWER L1 201735	26
4.11.	WHIPPER ASSEMBLY	29
4.12.	BTC BREWER SIGMA 201775	30
4.13.	FBT BREWER SIGMA 201777.....	32
4.14.	SIGMA FBC BREWER 201776	34
4.15.	SIGMA FBC BREWER DOUBLE BREW 201727	35
4.16.	MULTIBREWER PLATFORM ASSEMBLY 201527	36
4.17.	MULTIBREWER PINCHER ASSEMBLY 201528.....	37
4.18.	MULTI BREWER DRIVE ASSEMBLY 201526	38
4.19.	SIGMA INSTANT MODULE 201726.....	40
4.20.	SIGMA HOT ONLY KIT 912401	42
4.21.	SIGMA HOT AND COLD KIT 2912402.....	44
4.22.	SIGMA HOT COLD CARB KIT 2912403	46
4.23.	MODEL OPTIONS (INSTANT ONLY, CHILLER, CARBONATOR, ETC).....	48
4.24.	SIGMA DOOR ASSY 201752.....	49

4.25. SIGMA MULTI CHOICE MENU PANEL 201714.....	52
4.26. SIGMA FINISHING KIT INSTANT 201792.....	54
4.27. SIGMA FINISHING KIT BREWER 201780	54
4.28. SIGMA DIRECT CHOICE MENU PANEL ASSEMBLY 201713.....	55
4.29. SIGMA FINISHING KIT DC INSTANT 201659	57
4.30. SIGMA FINISHING KIT DC BREWER 201798.....	57
4.31. SIGMA FREE VEND KIT 201762	58
4.32. SIGMA CASHLESS AREA OPTIONS.....	58
4.33. LID DISPENSE KIT 201794.....	59
4.34. SIGMA NV9 USB BILL ACCEPTOR KIT 201832.....	60
4.35. SIGMA COIN HANDLING ASSY 201757	61
4.36. SIGMA CASHLESS BLANKING KIT 201793.....	63
4.37. SIGMA CASH BLANKING KIT 201786.....	64
4.38. SIGMA CUP DROPPER 70MM KIT 201763.....	65
4.39. SIGMA CUP DROPPER KIT 73MM 201764.....	67
4.40. SIGMA CUP DROPPER 80MM KIT 201766.....	69
4.41. REGION/LANGUAGE KITS	70
4.42. SIGMA CUNO KIT 201772	71
4.43. PURITY C 150 HEAD & 1 CARTRIDGE 201814	73
4.44. SIGMA LED SERVICE LIGHT KIT 201795.....	74
4.45. OPTIONAL ADD-ONS.....	75

1. **Sigma Documentation Available**

The following technical documentation is available for the Sigma vending machine.

Part number 350100 - Sigma Technical Manual

Part number 350101 - This Manual

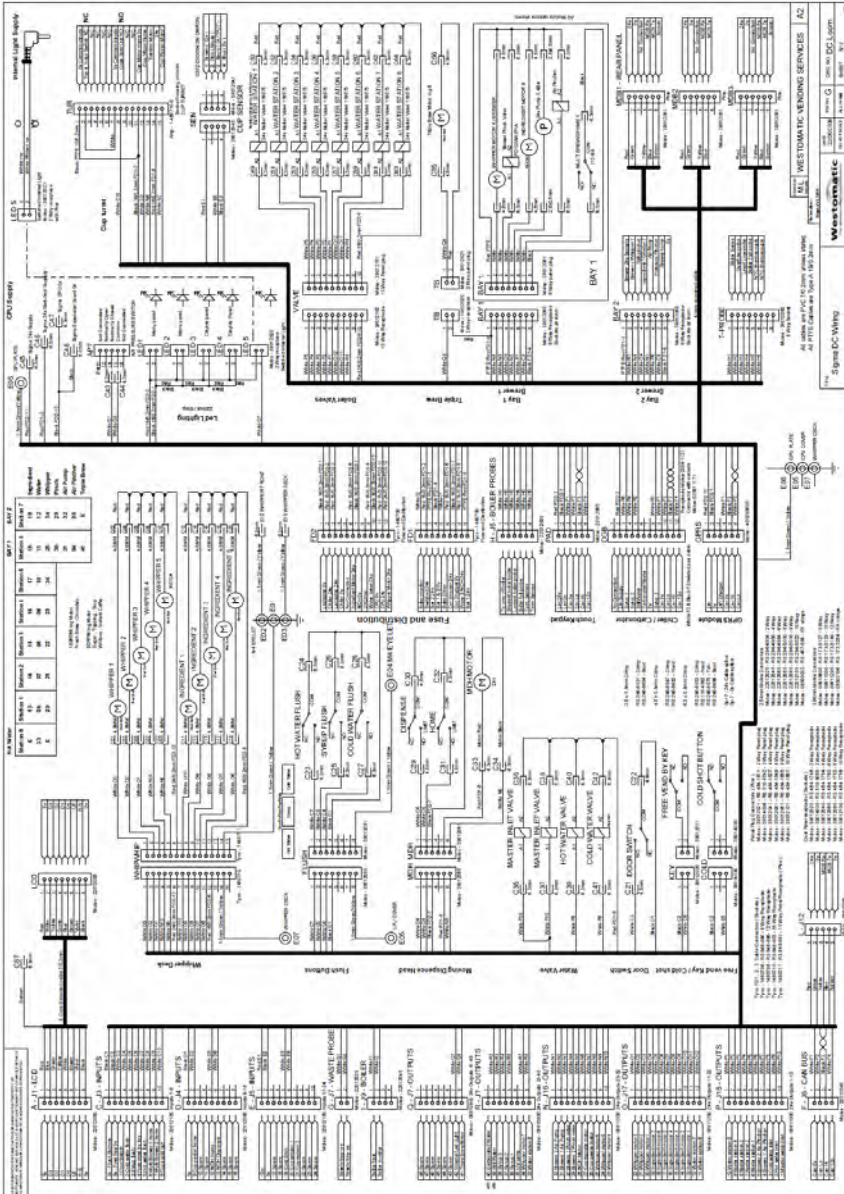
Part number 350103 - Installation/Operator Guide

350104 - Installation/Operator Guide (GERMAN)

1. Wiring Diagrams

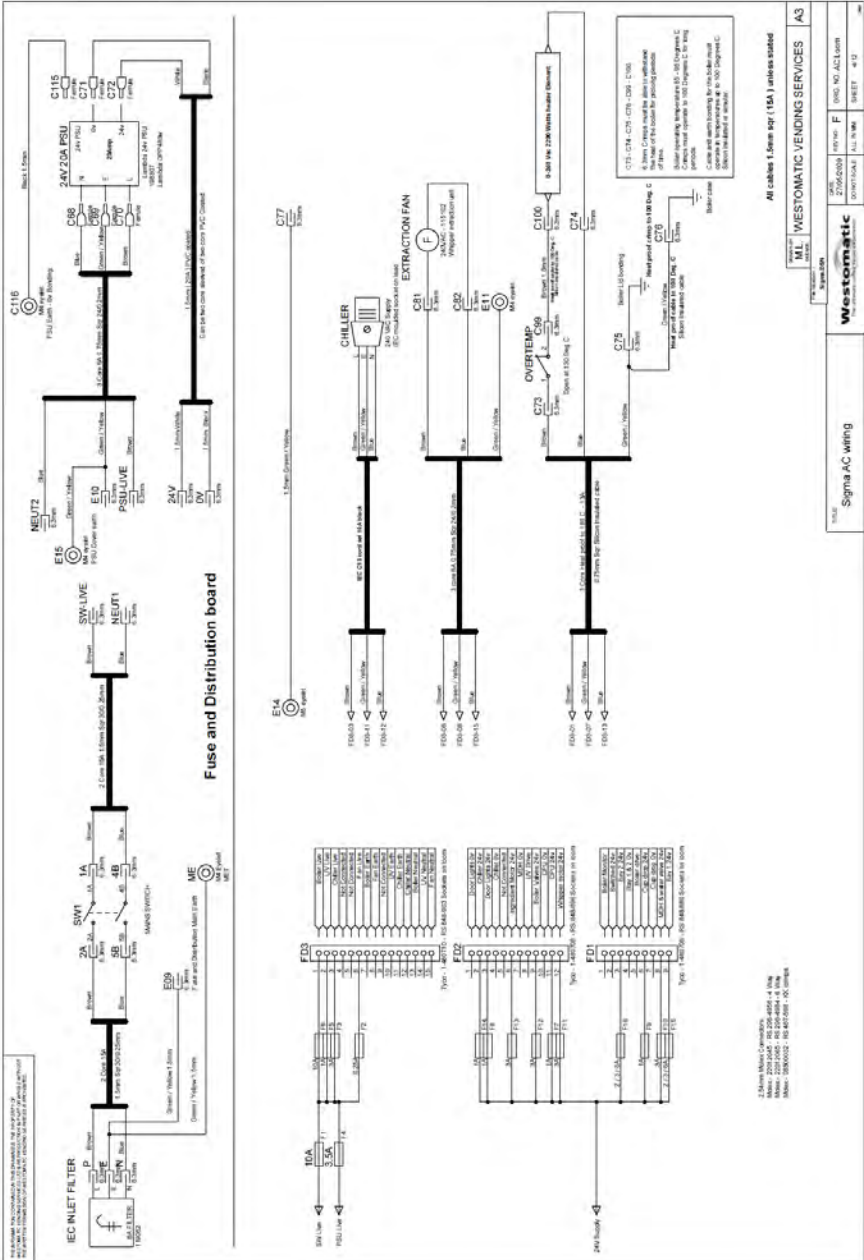


1.1. DC Wiring





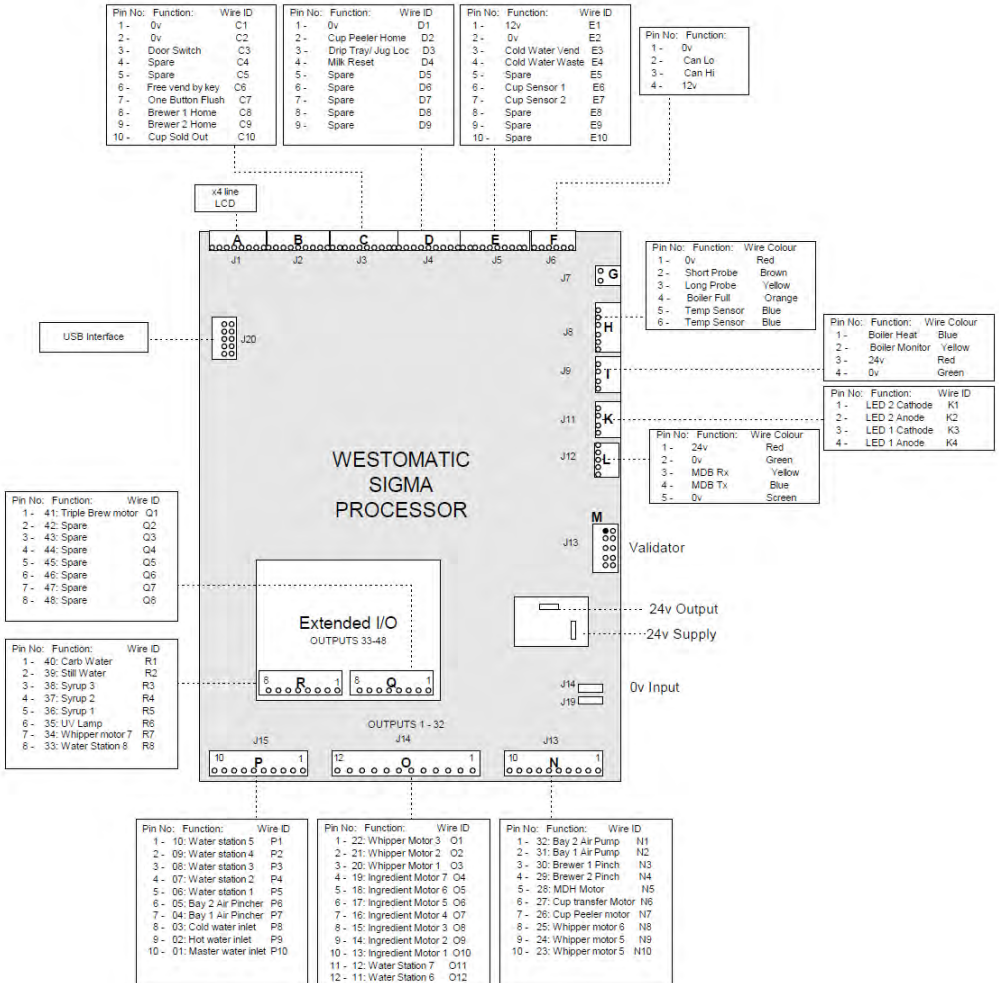
1.2. AC Wiring



2. Processor Board Information



SIGMA CONNECTOR INFORMATION



3. Digital Inputs & Outputs



NOTE: Water valves, ingredient & whipper motors are number from left to right looking at the front of the machine.

A		A – J1 – LCD (LCD)		
Connector	Function	Wire Colour	Type	Destination
A1	Display 5v	Red	7/0.2mm	LCD – 1
A2	D3	Blue	7/0.2mm	LCD – 5
A3	D2	Green	7/0.2mm	LCD – 4
A4	D1	Yellow	7/0.2mm	LCD – 3
A5	D0	White	7/0.2mm	LCD – 2
A6	LE	Brown	7/0.2mm	LCD – 6
A7	R-S	Violet	7/0.2mm	LCD – 7
A8	0V	Black	7/0.2mm	LCD – 8

C		C – J3 – Inputs 1-8		
Connector	Function	Wire Colour	Type	Destination
C1	0v – Flush Buttons	Black C1	7/0.2mm	FLUSH – 4
C2	0v – Free vend by key	Black C2	7/0.2mm	KEY – 1 ,COLD – 1
C3	IN[01] - Door Switch	White C3	7/0.2mm	C21
C4	IN[02] – Cold Water Flush	White C4	7/0.2mm	FLUSH – 3
C5	IN[03] – Syrup Flush	White C5	7/0.2mm	FLUSH – 2
C6	IN[04] - Free vend key switch	White C6	7/0.2mm	KEY – 2
C7	IN[05] – Hot Water Flush	White C7	7/0.2mm	FLUSH – 1
C8	IN[06] - Multi Brewer Home 1	White C8	7/0.2mm	BAY 1 - 7
C9	IN[07] - Multi Brewer Home 2	White C9	7/0.2mm	BAY 2 - 7
C10	IN[08] - Cup sold out	White C10	7/0.2mm	TUR - 8

D		D – J4 – Inputs 9-16		
Connector	Function	Wire Colour	Type	Destination
D1	0v	Black D1	7/0.2mm	C22
D2	IN[09] – Cup peeler home	White D2	7/0.2mm	TUR – 12
D3	IN[10] – Spare	-	-	-
D4	IN[11] – Spare	-	-	-
D5	IN[12] – MDH Home	White D5	7/0.2mm	MDH – 2
D6	IN[13] – MDH Dispense	White D6	7/0.2mm	MDH – 1
D7	IN[14] - Spare	-	-	-
D8	IN[15] – Spare	-	-	-
D9	IN[16] – Spare	-	-	-

E		E – J5 – Inputs 17-24		
Connector	Function	Wire Colour	Type	Destination
E1	12v cup sensor	Red E1	7/0.2mm	SEN – 1, And link to SEN – 2
E2	0v cup sensor	Black E2	7/0.2mm	SEN – 4
E3	IN[17] – Spare	-	-	-
E4	IN[18] – Spare	-	-	-
E5	IN[19] – Cold Shot	White E5	7/0.2mm	COLD – 3
E6	IN[20] - Cup sensor 1	White E6	7/0.2mm	SEN – 3
E7	IN[21] - Cup sensor 2	-	-	-
E8	IN[22] – FB/BTC Waste 1	-	-	-
E9	IN[23] – FB/BTC Waste 2	-	-	-
E10	IN[24] -	-	-	-

XXX - Wires (White F2) and (Black F3) are Twisted Pairs throughout machine.

F – CAN BUS				
Connector	Function	Wire Colour	Type	Destination
F1	Can Ov	White F1	7/0.2mm	PAD-3 DGB-9 GPRS- 4
F2	Can Lo	White F2	7/0.2mm XXX	PAD-4 DGB-10 GPRS- 6
F3	Can Hi	Black F3	7/0.2mm XXX	PAD-5 DGB-11 GPRS- 5
F4	Can 12v	White F4	7/0.2mm	PAD-6 DGB-12

G – J7 – Waste tray (WST)				
Connector	Function	Wire Colour	Type	Destination
G1	Waste tray full	White G1	7/0.2mm	C43
G2	0v	White G2	7/0.2mm	C44

H – J8 – Boiler Probes				
Connector	Function	Wire Colour	Type	Destination
H1	Boiler Probe Common	White H1	7/0.2mm	T-PROBE – 1
H2	Overflow Probe	White H2	7/0.2mm	T-PROBE – 2
H3	Under fill Probe	White H3	7/0.2mm	T-PROBE – 3
H4	Full Probe	White H4	7/0.2mm	T-PROBE – 4
H5	NTC Thermocouple	White H5	7/0.2mm	T-PROBE – 5
H6	NTC Thermocouple	White H6	7/0.2mm	T-PROBE – 6

I – J9 – Boiler Interface Board (BIB)				
Connector	Function	Wire Colour	Type	Destination
I1	Boiler Heat	White I1	7/0.2mm	FD1-5
I2	Boiler Monitor	White I2	7/0.2mm	FD1-1
I3	24v	-	-	-
I4	0v	-	-	-

L – J12 – MDB (MDB)				
L - 4 core Screened 7/0.2mm 1A cable, Black sheath PVC insulated Typically RS 482-5459				
Wire from L to MDB1 & MDB3 , Braided wire link non screened from MDB2 to MDB3				
Connector	Function	Wire Colour	Type	Destination
L1	24v	Red	7/0.2mm	MDB1 – 1 MDB2 – 1 MDB3 – 1
L2	0v	Green	7/0.2mm	MDB1 – 2 MDB2 – 2 MDB3 – 2
L3	MDB Rx	Yellow	7/0.2mm	MDB1 – 4 MDB2 – 4 MDB3 – 4
L4	MDB Tx	Blue	7/0.2mm	MDB1 – 5 MDB2 – 5 MDB3 – 5
L5	0v	Screen	Screen	MDB1 – 6 MDB2 – 6 MDB3 – 6

N		N – J16 – Outputs 23-32		
Connector	Function	Wire Colour	Type	Destination
N1	Brew 2 Air pump	White N1	7/0.2mm	BAY 2 – 5
N2	Brew 1 Air pump	White N2	7/0.2mm	BAY 1 – 5
N3	Brewer 1 pinch valve	White N3	7/0.2mm	BAY 1 – 3
N4	Brewer 2 pinch valve	White N4	7/0.2mm	BAY 2 – 3
N5	MDH Motor	White N5	7/0.2mm	MDH - 6
N6	Cup Transfer motor	White N6	7/0.2mm	TUR - 13
N7	Cup Peeler motor	White N7	7/0.2mm	TUR – 15
N8	Whipper motor 6	White N8	7/0.2mm	BAY 1 – 2
N9	Whipper motor 5	White N9	7/0.2mm	WHIP-5
N10	Whipper motor 4	White N10	7/0.2mm	WHIP-4

PTFE Cable Type A 19/0.2mm changed to 7/0.2mm PVC

O		O – J17 – Outputs 11-22		
Connector	Function	Wire Colour	Type	Destination
O1	Whipper 3	White O1	7/0.2mm	WHIP-3
O2	Whipper 2	White O2	7/0.2mm	WHIP-2
O3	Whipper 1	White O3	7/0.2mm	WHIP-1
O4	Ingredient motor 7	White O4	7/0.2mm	BAY 2 – 4
O5	Ingredient motor 6	White O5	7/0.2mm	BAY 1 – 4
O6	Ingredient motor 5	White O6	7/0.2mm	WHIP-11
O7	Ingredient motor 4	White O7	7/0.2mm	WHIP-10
O8	Ingredient motor 3	White O8	7/0.2mm	WHIP-09
O9	Ingredient motor 2	White O9	7/0.2mm	WHIP-08
O10	Ingredient motor 1	White O10	7/0.2mm	WHIP-07
O11	Water Station 7	White O11	7/0.2mm	VALVE-7
O12	Water Station 6	White O12	7/0.2mm	VALVE-6

P		P – J18 – Outputs 1-10		
Connector	Function	Wire Colour	Type	Destination
P1	Water Station 5	White P1	7/0.2mm	VALVE-5
P2	Water Station 4	White P2	7/0.2mm	VALVE-4
P3	Water Station 3	White P3	7/0.2mm	VALVE-3
P4	Water Station 2	White P4	7/0.2mm	VALVE-2
P5	Water Station 1	White P5	7/0.2mm	VALVE-1
P6	Brewer 2 Air Pinch	White P6	7/0.2mm	BAY 2 – 6
P7	Brewer 1 Air Pinch	White P7	7/0.2mm	BAY 1 – 6
P8	Cold water inlet	White P8	7/0.2mm	C41
P9	Hot water inlet	White P9	7/0.2mm	C39
P10	Master water inlet	White P10	7/0.2mm	C37 , C35

Q		Q – J-- – Outputs 41-48		
Connector	Function	Wire Colour	Type	Destination
Q1	Spare	-	-	-
Q2	Spare	-	-	-
Q3	Spare	-	-	-
Q4	Spare	-	-	-
Q5	Spare	-	-	-
Q6	Spare	-	-	-
Q7	Internal LED light	White Q7	7/0.2mm	LED5 - 2
Q8	Triple Brew : ingredient 8	White Q8	7/0.2mm	TB - 1

R		Q – J-- – Outputs 41-48		
Connector	Function	Wire Colour	Type	Destination
R4	Carbonated Water	White R4	7/0.2mm	DGB – 6
R2	Still Water	White R2	7/0.2mm	DGB - 5
R3	Syrup 3	White R3	7/0.2mm	DGB - 8
R4	Syrup 2	White R4	7/0.2mm	DGB - 4
R5	Syrup 1	White R5	7/0.2mm	DGB - 3
R6	UV Lamp	White R6	7/0.2mm	FD2 – 8
R7	Whipper motor 7	White R7	7/0.2mm	BAY2 - 8
R8	Water Station 8	White R8	7/0.2mm	VALVE-8

PTFE Cable Type A 19/0.2mm (11A). Single PVC 7/0.2mm (1.4A). Single PVC 16/0.2mm (3A). Single PVC 30/0.25mm (21A). Single PVC 24/0.2mm (4.5A).

Connectors in (Brackets) can be daisy chained if required.

FD1		FD1 – Fuse and Distribution Board		
Connector	Function	Wire Colour	Type	Destination
FD1 -1	Boiler Monitor	White I2	7/0.2mm	I2
FD1 -2	CPU Switched 24v	Red FD1-2	16/0.2mm	C46
FD1 -3	Bay 2 24v	Red PTFE FD1-3	19/0.2mm	BAY 2 – 1
FD1 -4	Bay 1 and Bay 2 0v	Black FD1-4	7/0.2mm	BAY 1 – 8 BAY 2 – 8
FD1 -5	Boiler Drive	White I1	7/0.2mm	I1
FD1 -6	Cup Dropper 24v	Red FD1-6	16/0.2mm	TUR – 14
FD1 -7	Cup Dropper 0v	Black FD1-7	16/0.2mm	TUR – 11 TUR – 01
FD1 -8	Water inlet and MDH 24v	Red FD1-8	16/0.2mm	MDH – 5 C42 , (C40 , C38 , C36)
FD1 -9	Bay 1 24v	Red PTFE FD1-9	19/0.2mm	BAY 1 – 1 TB – 2

Connectors in (Brackets) can be daisy chained if required.

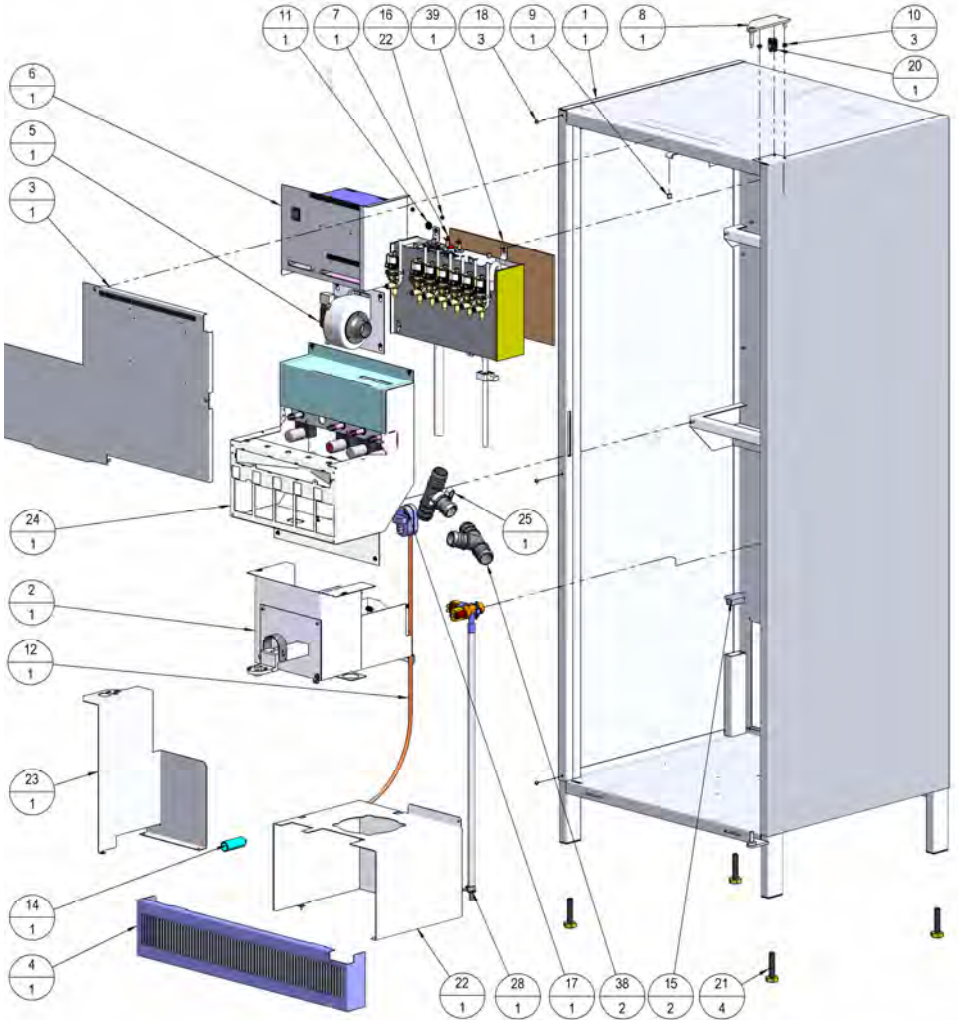
FD2		FD2 – Fuse and Distribution Board		
Connector	Function	Wire Colour	Type	Destination
FD2 -1	Led Lighting 0v	Black FD2-1	16/0.2mm	PAD – 2 GPRS - 2 (LED1 – 2 LED2 – 2) (LED3 – 2 LED4 – 2)
FD2 -2	Chiller 24v	Red FD2 – 2	16/0.2mm	DGB – 2
FD2 -3	Led Lighting 24v	Red FD2 – 3	16/0.2mm	PAD – 1 (LED1 – 1 LED2 – 1) (LED3 – 1 LED4 – 1 LED5 -1)
FD2 -4	Chiller 0v	Black FD2 – 4	16/0.2mm	DGB – 7
FD2 -5	Not Connected	-	-	-
FD2 -6	Ingredient Motor 24v	Red FD2 – 6	16/0.2mm	WHIP - 12
FD2 -7	MDH 0v	Black FD2 – 7	16/0.2mm	MDH – 3
FD2 -8	UV Tube Drive	-	-	-
FD2 -9	Water Valves 24v	Red FD2 – 9	16/0.2mm	VALVE - 10
FD2 -10	CPU 0v	Black FD2 – 10	1.5mm ²	C47 , C48
FD2 -11	CPU 24v	Red FD2 – 11	16/0.2mm	C45 GPRS - 1
FD2 -12	Whipper Motors 24v	Red FD2 – 12	24/0.2mm	WHIP – 6

Links				
Connector	Function	Wire Colour	Type	Destination
TUR-7	Cup dropper switch	White	7/0.2mm	TUR-2

Earth Links				
Connector	Function	Wire Colour	Type	Destination
FLUSH – 8	Earth	Green / Yellow	1.5mm ²	E05
WHIP-14	Earth	Green / Yellow	1.5mm ²	E07
E06	Earth	Green / Yellow	1.5mm ²	E08

4. Sigma Assembly Drawings

4.1. SIGMA - CABINET ASSEMBLY 201753

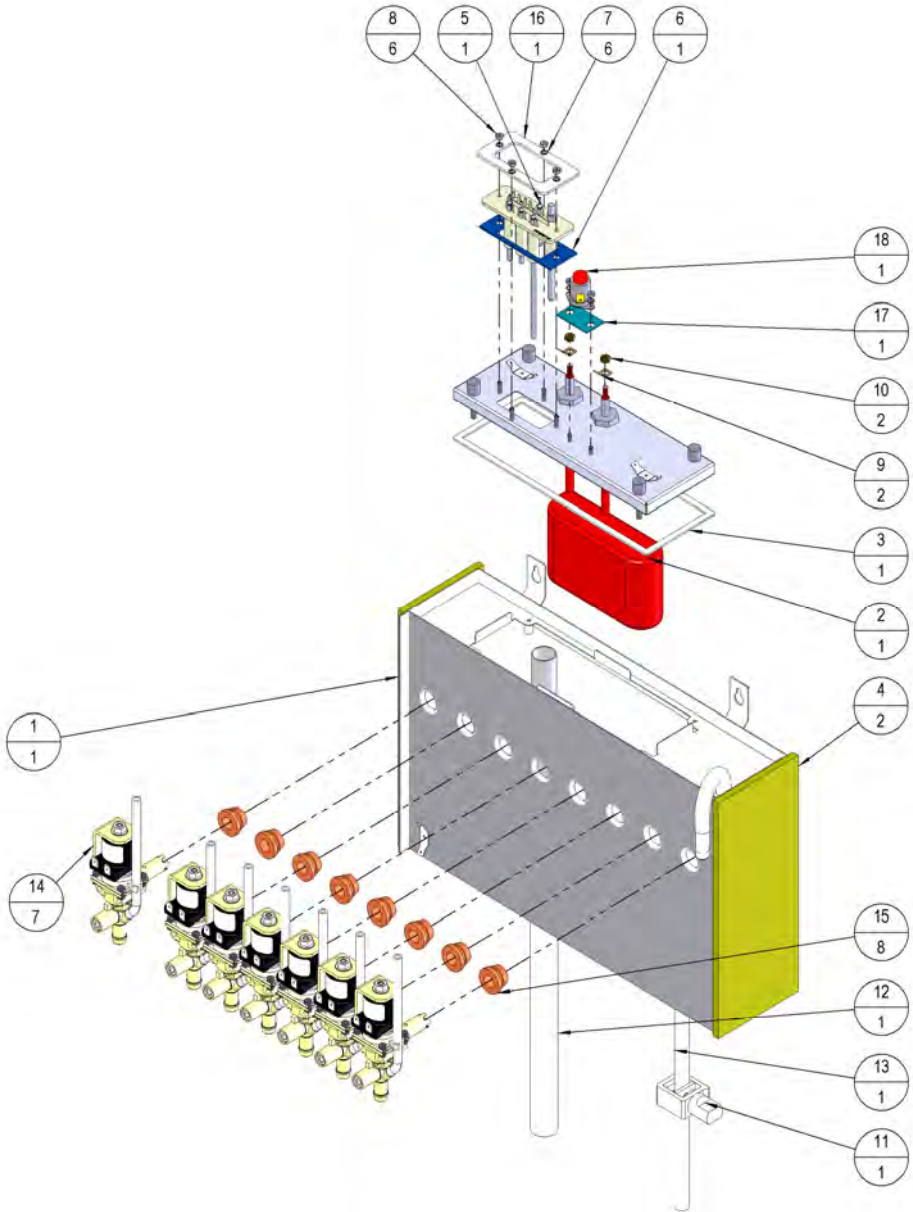


SIGMA - CABINET ASSEMBLY 201753 (cont')

ITEM No.	QTY.	PART No.	DESCRIPTION
1	1	194022	SIGMA CABINET ASSEMBLY
2	1	201723	SIGMA MOVING DISPENSE HEAD ASSEMBLY
3	1	194023	SIGMA BACK PLATE
4	1	190050	PLINTH SOLO ENCORE
5	1	201725	EXTRACTION FAN ASSY SIGMA
6	1	201728	FUSE AND DISTRIBUTION BOX SIGMA
7	1	201595	PRELUDE - BOILER ASSEMBLY
8	1	190044	DOOR HINGE SOLO ENCORE
9	1	100035339	NYLON HOLE PLUG - 9.5mm
10	3	100086024	NN M6
11	1	134097	15mm BLIND GROMMET
12	0.81m	100046069	TUBING - WHITE SILICONE 4mm I.D x 2mm WALL THK (CUT LENGTH 810mm)
13	1	100085028	SCREW - No.6 x 3/8" PAN REC SELF TAP AB
14	1	100091083	WEIGHT PRESSURE SWITCH
15	2	135913	BUNG 50 x 20 mm
16	22	186093	NUT M4 SERRATED FLANGED
17	1	113166	SWITCH PRESSURE 65/18
18	3	134106	MUSHROOM BUMPER
19	1	100034090	BUSH - STRAIN RELIEF RDD LOCKIT
20	1	100034069	P CLIP - BLACK NX2A
21	4	100095021	FOOT-ADJUSTABLE 70MM
22	1	194135	WASTE BIN PLATFORM
23	1	190055	BRACKET CENTRE WASTE ENCORE
24	1	201791	SIGMA COMMON WHIPPER DECK ASSEMBLY
25	1	188118	CLIP SPRING 1.5"
26	2	100085004	SCREW - M4 x 10mm REC PAN
27	3	100085122	SCREW - M4 x 10mm PAN REC ST - STEEL
28	1	201790	SIGMA INLET VALVE ASSEMBLY
29	1	100034049	P CLIP - BLACK NX4
30	2	100034005	P CLIP - BLACK NX8
31	4	100087007	WASHER - M5 INTERNAL SHAKE STEEL
32	1	100085132	Hex Head Set Screw M5 x 25 BRASS
33	3	100086034	Hex Nut Plain M5 BRASS
34	1	246512	SIGMA DC LOOM (NOT SHOWN)
35	1	246506	SIGMA FD3 AC LOOM (NOT SHOWN)
36	1	246511	SIGMA BOILER VALVES LOOM (NOT SHOWN)
37	1.04m	100046015	TUBING-VACUFLEX 1.5 inch BLACK (CUT LENGTH 1.04m)
38	2	148050	TEE PIECE 38MM
39	1	194075	SIGMA BOILER INSULATION - FRONT
40	1	100036243	LABEL-EARTH WARNING (NOT SHOWN)
41	1	100038190	LABEL - CE MARK (NOT SHOWN)

N.B. 111201 - CABLE - MAINS 13A PLUG ANGLED 16A (for UK use only).

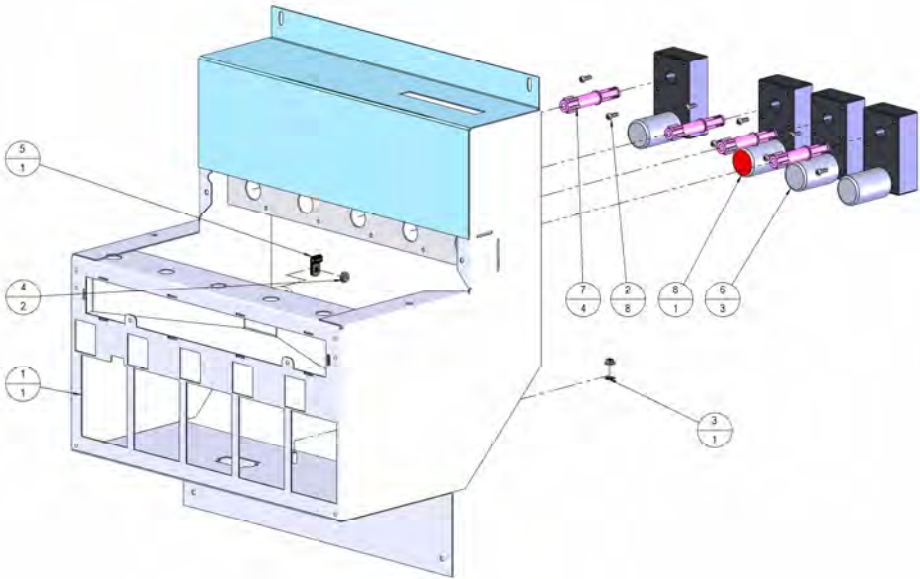
4.2. SIGMA BOILER ASSEMBLY 201595



SIGMA - BOILER ASSEMBLY 201595 (cont')

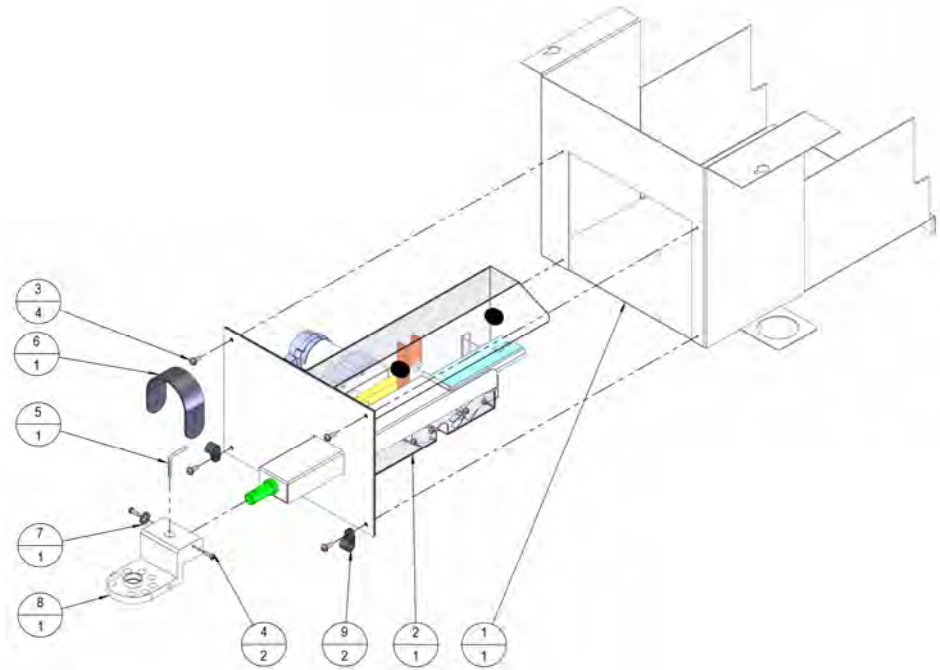
ITEM No.	QTY.	PART No.	DESCRIPTION
1	1	201663	SIGMA - BOILER METALWORK KIT
2	1	117231	2.2 kW BOILER ELEMENT
3	1	198550	PRELUDE BOILER LID GASKET V2
4	2	194076	SIGMA BOILER INSULATION - SIDES
5	1	119090	THERMISTOR PROBE SET
6	1	01Z190006	PROBE SET GASKET
7	6	100087002	M3 INTERNAL SHAKEPROOF
8	6	100086001	NUT - M3 HEX FULL STEEL
9	2	110200	TERMINAL ADAPTER
10	2	100086047	FULL NUT M4 BRASS
11	1	147148	DRAIN HOSE PIPE CLAMP
12	1	100046009	17mm ID SILLICONE PIPE
13	1	100046003	7.8mm ID SILLICONE PIPE
14	7	116075	VALVE 8mm BODY LOW SCALE 24VDC
15	8	147123	DELIVERY SEAL VALVE
16	1	198523	PRELUDE THERMISTOR PROBE RETAINING PLATE
17	1	198529	SPACER PLATE - TEMPERATURE LIMITER
18	1	114153	TEMPERATURE LIMITER
19	1	246511	SIGMA BOILER VALVES LOOM

4.3. SIGMA COMMON WHIPPER DECK ASSEMBLY 201791



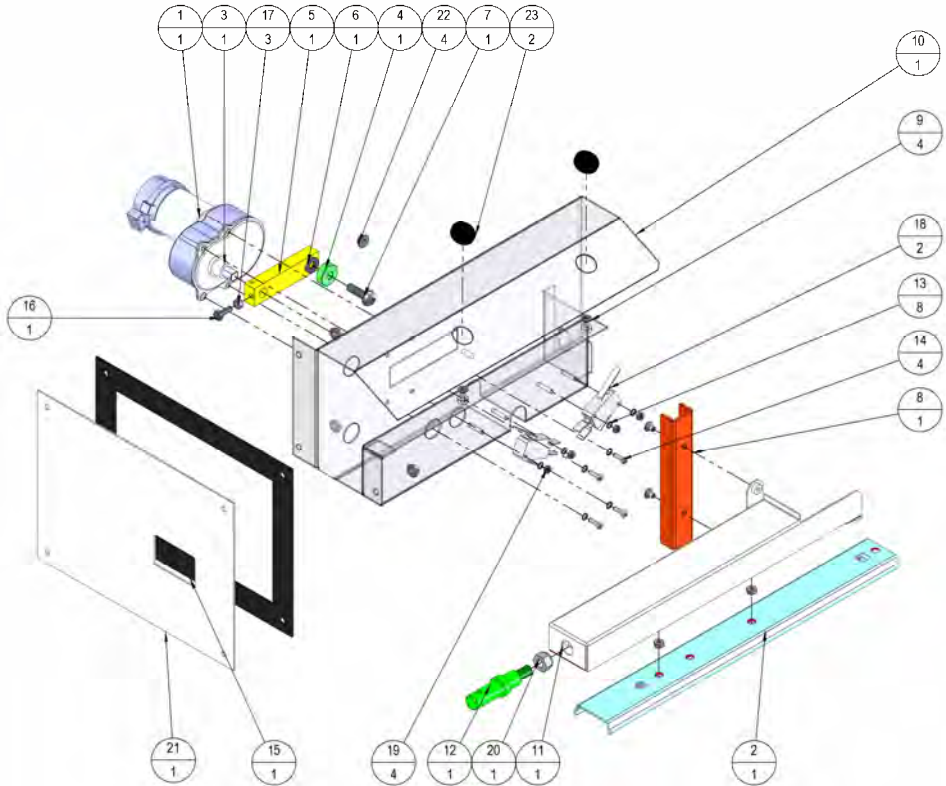
ITEM No.	QTY.	PART No.	DESCRIPTION
1	1	194031	SIGMA WHIPPER DECK ASSY WELDMENT
2	8	185334	SCREW – 3.5 x 10 PLASTECH REC PAN
3	1	100087076	WASHER – M4 EXTERNAL SHAKEPROOF
4	2	186093	NUT M4 SERRATED FLANGED
5	1	100034048	P-CLIP NXP2
6	3	161440	MOTOR 90RPM 24VDC – 263.4090A
7	4	291051	44mm Pinion 101.8102T
8	1	161441	MOTOR 130RPM 24VDC – 263.4130A
9	1	246510-D	SIGMA WHIPPER DECK LOOM
10	1	100036243	LABEL-EARTH WARNING

4.4. SIGMA MOVING DISPENSE HEAD ASSY 201723



ITEM No.	QTY.	PART No.	DESCRIPTION
1	1	194016	SIGMA MDH DRAWER
2	1	201830	MDH MECH UNIT ASSY SIGMA V2
3	4	100085004	SCREW - M4 x 10mm REC PAN
4	2	100085088	Selftap Phillips Pan Head AB No.8 x 1\2
5	1	100095053	LOCKING PIN
6	1	194122	SIGMA MDH STRAP
7	1	187099	WASHER-M6 STEEL FORM B ST STEEL
8	1	194018	SIGMA DISPENSE HEAD
9	2	100034049	P CLIP - BLACK NX4

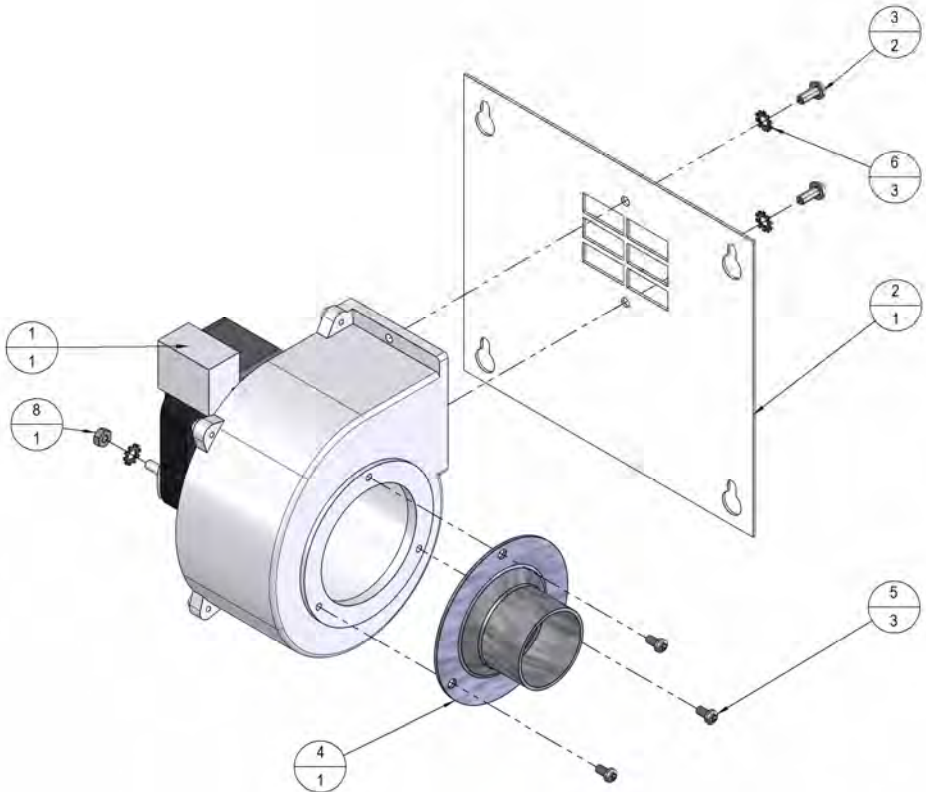
4.5. MDH MECH UNIT ASSY SIGMA V2 201830



ITEM No.	QTY.	PART No.	DESCRIPTION
1	1	194109	MOTOR 24VDC - PLANETARY GEARBOX
2	1	188180	LINEAR SLIDE FINN 300 SINGLE EXTENSION
3	1	194104	SPACER - NYLON 66 - 8.2ID x 12OD x 7.5LG
4	1	100041013	BEARING 6x17x6mm BM026-B
5	1	194214	MDH DRIVE PLATE 8MM SHAFT V2
6	1	100087055	WASHER-M6 STEEL FORM B
7	1	100085205	Machine Screw Phillips Pan Head M6 x 20
8	1	194213	MDH BEARING GUIDE
9	4	185244	SCREW - M4 x 6 LG CSK POZI
10	1	194210	SIGMA MDH BRACKET V2

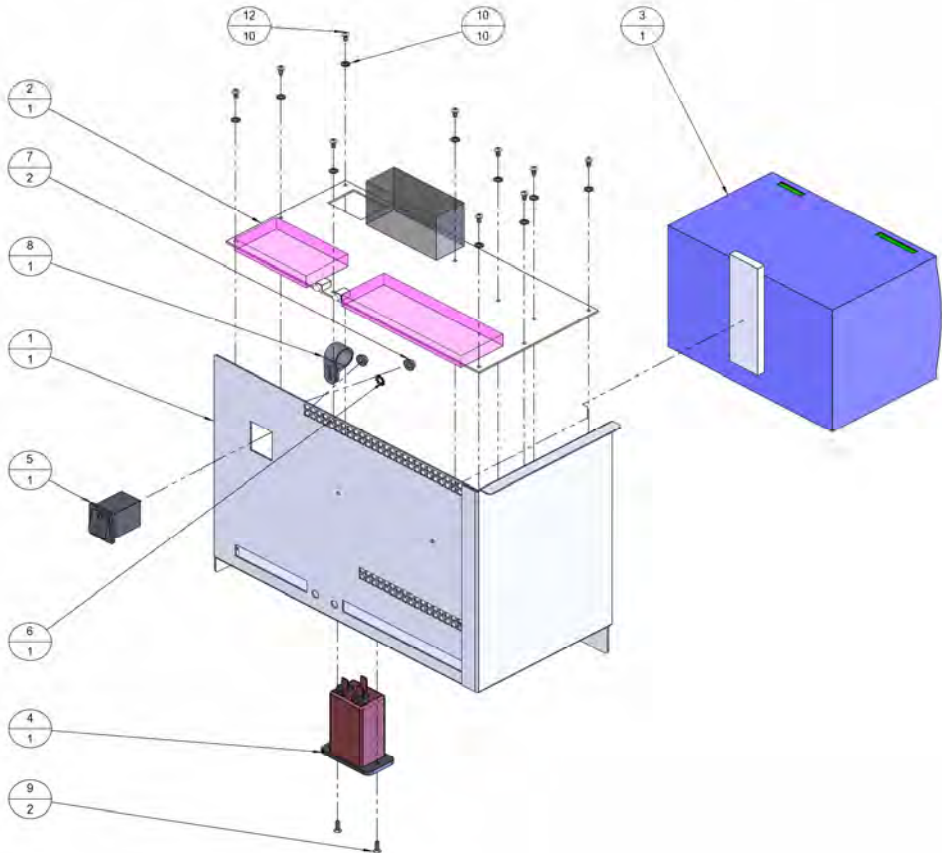
11	1	194212	MDH SLIDE ARM
12	1	194215	MDH SLIDE SPIGOT
13	8	100087002	M3 INTERNAL SHAKEPROOF
14	4	100085018	Machine Screw Phillips Pan Head M3 x 10
15	1	194205	SIGMA MDH HOUSING GASKET
16	1	100085137	HB M4 x 12
17	3	100086002	NUT M4 HEX FULL STEEL
18	2	100013090	SWITCH GPL SHORT LEVER
19	4	100086001	NUT - M3 HEX FULL STEEL
20	1	100086085	Nyloc Nut M8
21	1	194211	MDH DRAWER COVER SIGMA V2
22	4	186093	NUT M4 SERRATED FLANGED
23	2	134097	15mm BLIND GROMMET
24	1	246508	SIGMA MDH MODULE LOOM

4.6. EXTRACTION FAN ASSY SIGMA 201725



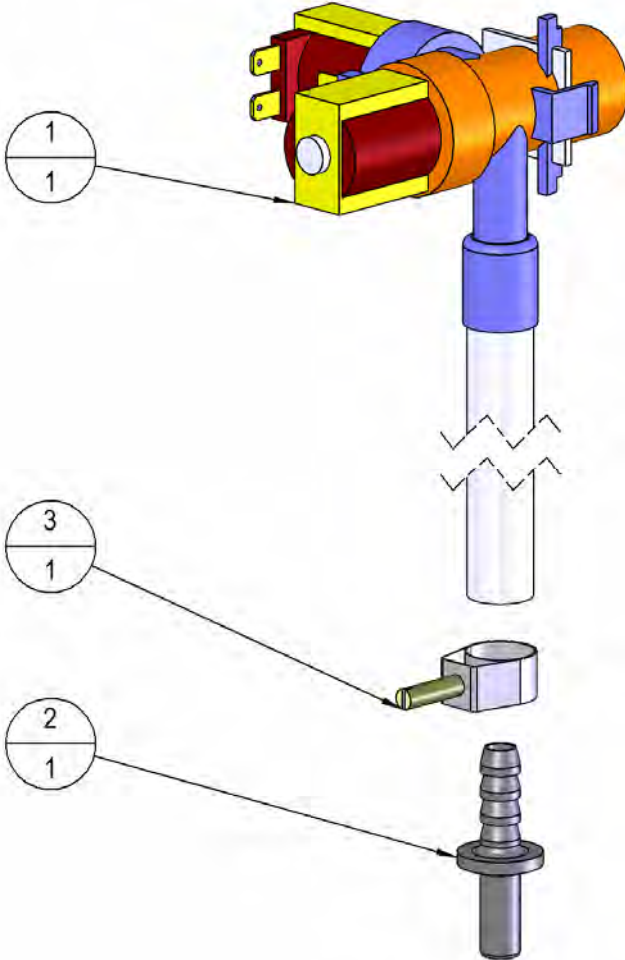
ITEM No.	QTY.	PART No.	DESCRIPTION
1	1	115101	MOTOR EXTRACT FAN
2	1	194050	Sigma Fan mount
3	2	100085004	SCREW - M4 x 10mm REC PAN
4	1	135503	EXTRACTOR FAN COWEL
5	3	100085040	SCREW - 4.2 x 6.5 SELFTAP REC PAN
6	3	100087076	WASHER - M4 EXTERNAL SHAKEPROOF
7	1	100036243	LABEL-EARTH WARNING
8	1	100086002	NUT - M4 HEX FULL STEEL

4.7. FUSE AND DISTRIBUTION BOX SIGMA 201728



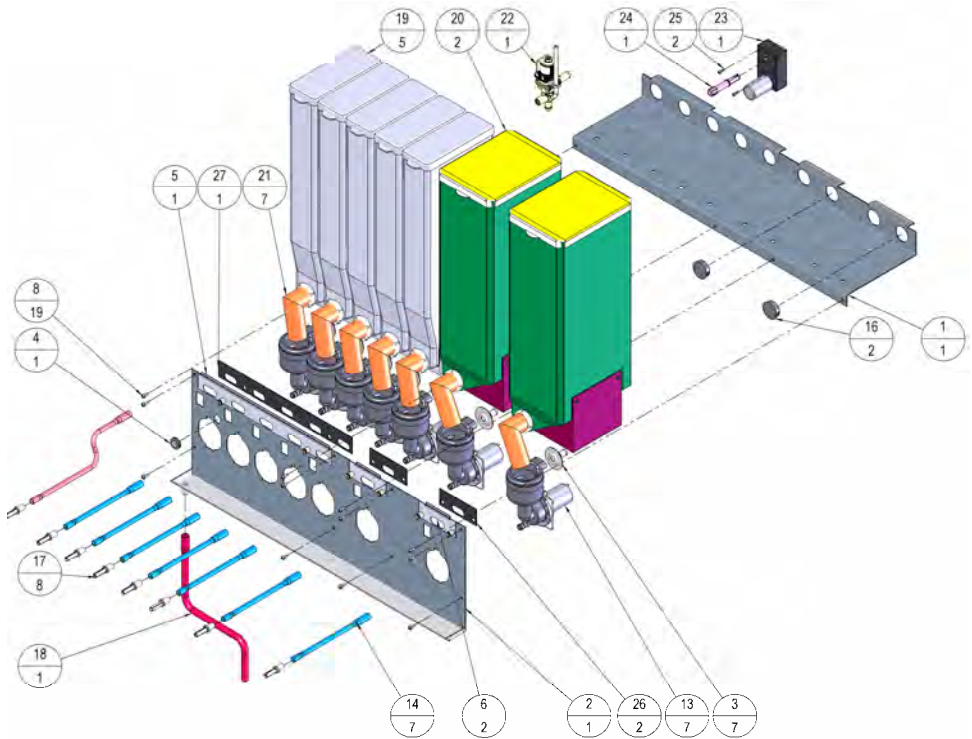
ITEM No.	QTY.	PART No.	DESCRIPTION
1	1	194032	SIGMA FnD Box
2	1	194077	SIGMA FUSE AND DISTRIBUTION BOARD
3	1	198460	PRELUDE - 24V PSU
4	1	119062	MAINS FILTER
5	1	113158	SWITCH C.TIME
6	1	100087076	WASHER - M4 EXTERNAL SHAKEPROOF
7	2	186093	NUT M4 SERRATED FLANGED
8	1	100034005	P CLIP - BLACK NX8
9	2	185331	SCREW - M3 x 10 LG CSK POZI
10	10	100087001	WASHER - M3 A STEEL
11	1	246507	SIGMA AC LOOM
12	10	100085020	Machine Screw Phillips Pan Head M3 x 6
13	1	100036243	LABEL-EARTH WARNING

4.8. SIGMA INLET VALVE ASSEMBLY 201790



ITEM NO.	QTY.	PART NUMBER	DESCRIPTION
1	1	154261	24VDC INLET SOLENOID VALVE
2	1	100054076	STEM BARB 3/8 x 3/8 INCH
3	1	100088014	CLIP - UNEX No.17

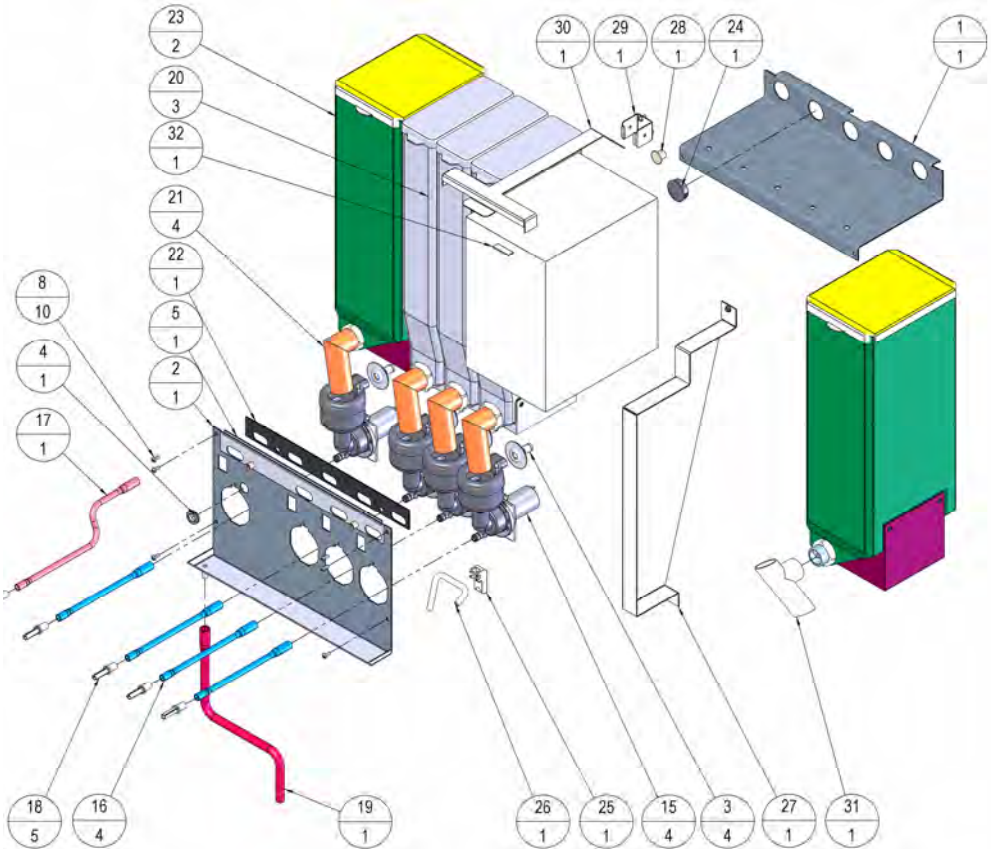
4.9. WHIPPER DECK ASSEMBLY ALL INSTANT S 201738



WHIPPER DECK ASSEMBLY ALL INSTANT S 201738 (cont')

ITEM No.	QTY.	PART No.	DESCRIPTION
1	1	194034	PRELUDE WHIPPER DECK COVER C
2	1	194036	SIGMA WHIPPER DECK FRONT S
3	7	160111	BULKHEAD ADAPTOR ROUND - HEP40009-B
4	1	134109	12.7mm ID GROMMET (16mm HOLE)
5	1	194087	REMOVABLE WHIPPER PLATE S
6	2	194091	REMOVABLE WHIPPER PLATE INSTANT MODULE
7	2	160086	TWIST CLIP (NOT SHOWN)
8	19	100085122	SCREW - M4 x 10mm PAN REC ST - STEEL
13	7	160124	WHIPPER ASSEMBLY
14	7	100046002	6.0 mm ID SILLICONE PIPE
15	1	100046002	6.0 mm ID SILLICONE PIPE
16	2	160090	DOME PLUG DP875 NYLON 66 BLACK
17	8	100035460	SPOUT-DISPENSE TUBE FLUTED
18	1	100046003	7.8mm ID SILLICONE PIPE
19	5	161410	CANISTER INSTANT 225x460
20	2	161442	CANISTER 230X460 FB LH SIGMA
21	7	161452	CANISTER CHUTE CLOSED 45X85
22	1	116075	VALVE 8mm BODY LOW SCALE 24VDC
23	1	161440	MOTOR 90RPM 24VDC - 263.4090A
24	1	291051	44mm Pinion 101.8102T
25	2	185334	SCREW - 3.5 x 10 PLASTECH REC PAN
26	2	194208	INSTANT EXTRACT GASKET
27	1	194209	SIGMA EXTRACT GASKET

4.10. WHIPPER DECK ASSEMBLY 2 BREWER L1 201735



ITEM No.	QTY.	PART No.	DESCRIPTION
1	1	194033	PRELUDE WHIPPER DECK COVER A
2	1	194081	SIGMA WHIPPER DECK FRONT 2 BREWER L1
3	4	160111	BULKHEAD ADAPTOR ROUND - HEP40009-B
4	1	134109	12.7mm ID GROMMET (16mm HOLE)
5	1	194088	REMOVABLE WHIPPER PLATE L1
6	2	160086	TWIST CLIP (NOT SHOWN)
7	2	100085004	SCREW - M4 x 10mm REC PAN
8	10	100085122	SCREW - M4 x 10mm PAN REC ST - STEEL
9	2	100087006	WASHER - M4 INTERNAL SHAKEPROOF STEEL

10	2	186093	NUT M4 SERRATED FLANGED
15	4	160124	WHIPPER ASSEMBLY
16	4	100046002	6.0 mm ID SILLICONE PIPE
17	1	100046002	6.0 mm ID SILLICONE PIPE
18	5	100035460	SPOUT-DISPENSE TUBE FLUTED
19	1	100046003	7.8mm ID SILLICONE PIPE
20	3	161410	CANISTER INSTANT 225x460
21	4	161452	CANISTER CHUTE CLOSED 45X85
22	1	194209	SIGMA EXTRACT GASKET
23	2	161442	CANISTER 230X460 FB LH SIGMA
24	1	160090	DOME PLUG DP875 NYLON 66 BLACK
25	1	135570	COFFEE PIPE CLAMP
26	1	SK146121	ANGLED MULTI-BREWER COFFEE PIPE
27	1	194054	BREWER SIDE SPACER
28	1	100047112	BOILER PORT BLANK PLUG
29	1	194053	SIGMA CANISTER RETAINER BRACKET
30	1	194052	SIGMA CANISTER RETAINER
31	1	198330	INGREDIENT CHUTE 20 DEGREE FB POLYPROP
32	1	161445	CANISTER LARGE BEAN 293H 180DEG SHUT OFF

Whipper deck/canister variations dependant on machine type: -

INSTANT ONLY (STANDARD)

201738	
194034	PRELUDE WHIPPER DECK COVER C
194036	SIGMA WHIPPER DECK FRONT S
194087	REMOVABLE WHIPPER PLATE S
201781	SIGMA CANISTER KIT INSTANT S

1 BREWER (LARGE CANISTER)

201732	
194047	SIGMA WHIPPER DECK TOP B
194078	SIGMA WHIPPER DECK FRONT 1 BREWER L1
194088	REMOVABLE WHIPPER PLATE L1
	201782 SIGMA CANISTER KIT SFBT L1
	201836 SIGMA CANISTER KIT SFBT S AUSI

2 BREWER (LARGE CANISTER)

201735	
194033	SIGMA WHIPPER DECK TOP A
194081	SIGMA WHIPPER DECK FRONT 2 BREWER L1
194088	REMOVABLE WHIPPER PLATE L1
201783	SIGMA CANISTER KIT FBC FBT L1
201784	SIGMA CANISTER KIT BTC FBT L1
201785	SIGMA CANISTER KIT 2FBC FBT L1
201813	SIGMA CANISTER KIT BTC FBT S

BTC - FBC (STANDARD CANISTER)

201739	
194033	SIGMA WHIPPER DECK TOP A
194044	SIGMA WHIPPER DECK FRONT 2 BREWER S
194087	REMOVABLE WHIPPER PLATE S
201787	SIGMA CANISTER KIT BTC FBC S

SINGLE BTC (LARGE CANISTER)

201655	
194047	SIGMA WHIPPER DECK TOP B
194078	SIGMA WHIPPER DECK FRONT 1 BREWER L1
194088	REMOVABLE WHIPPER PLATE L1
201656	SIGMA CANISTER KIT SBTC L1

2 BREWER (STANDARD CANISTER)

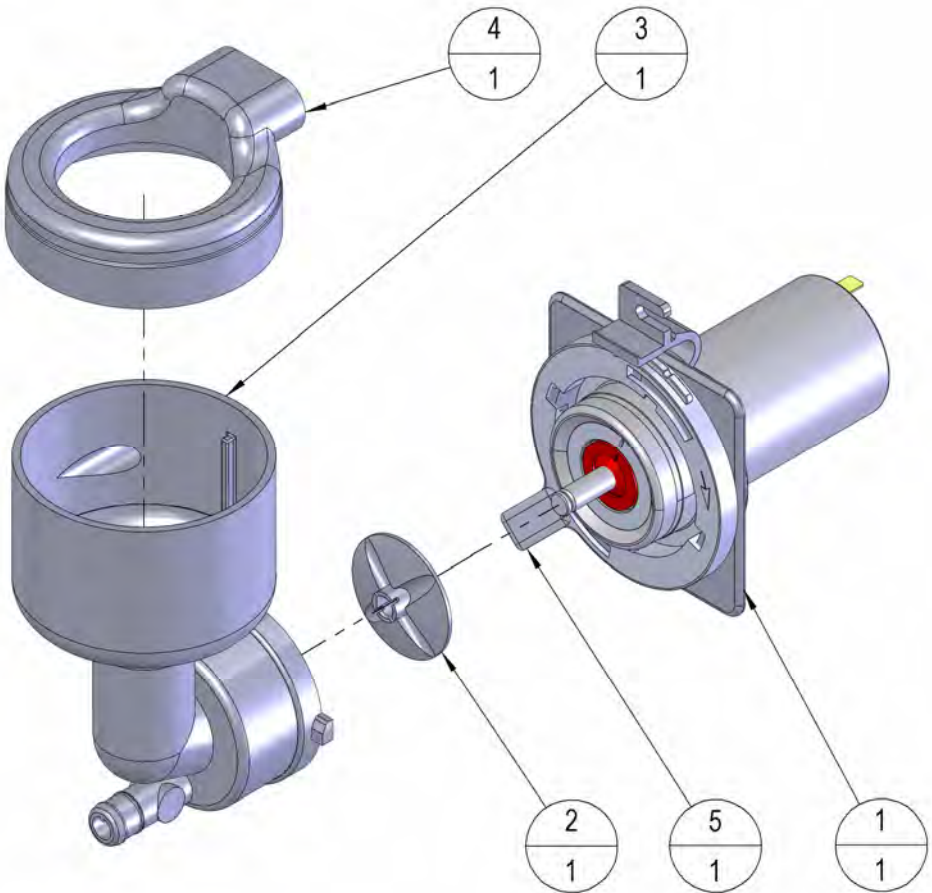
201812	
194033	SIGMA WHIPPER DECK TOP A
194044	SIGMA WHIPPER DECK FRONT 2 BREWER S
194087	REMOVABLE WHIPPER PLATE S

1 BREWER (STANDARD CANISTER)

201835	
194047	SIGMA WHIPPER DECK TOP B
194078	SIGMA WHIPPER DECK FRONT 1 BREWER L1
194088	REMOVABLE WHIPPER PLATE L1

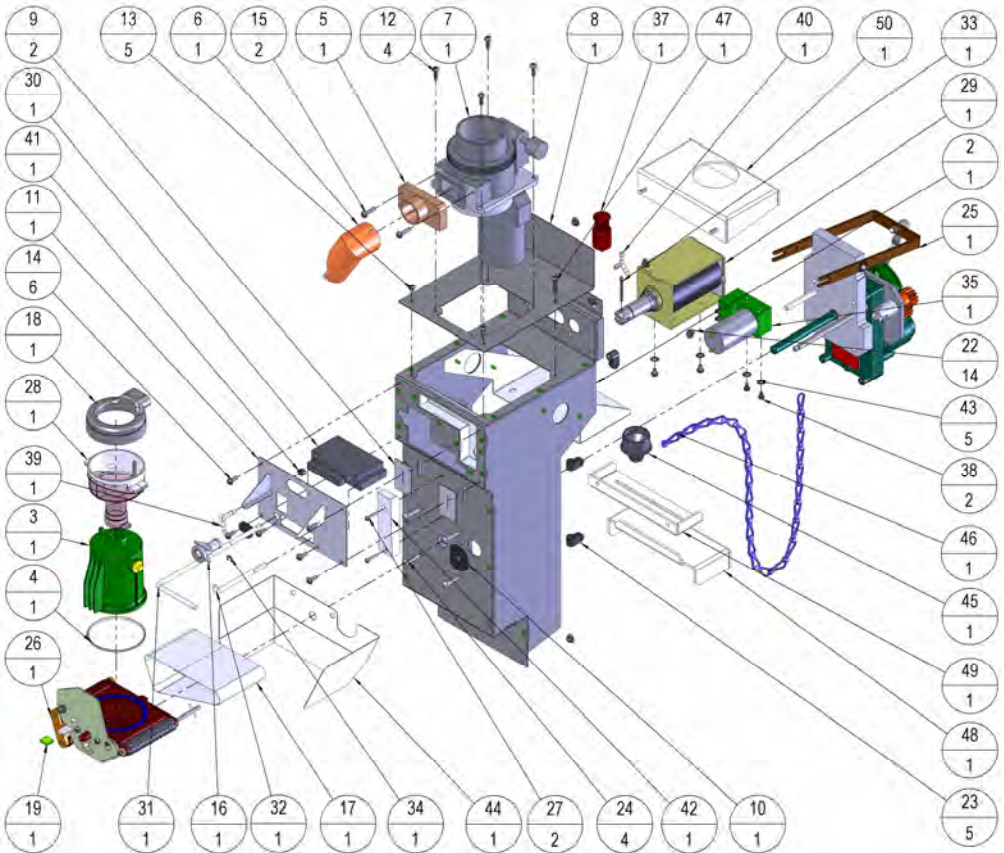
xxxxxxx = Canister kit options.

4.11. WHIPPER ASSEMBLY



ITEM NO.	QTY.	PART NO.	DESCRIPTION
1	1	160124	1-PIECE WHIPPER MOTOR AND SUPPORT - 16000 RPM
2	1	160131	WHIPPER BASE 45 DEG LG LEVER
3	1	160083	IMPELLOR
4	1	160084	BOWL AND CHAMBER COMPLETE
5	1	160085	STEAM TRAP GREY

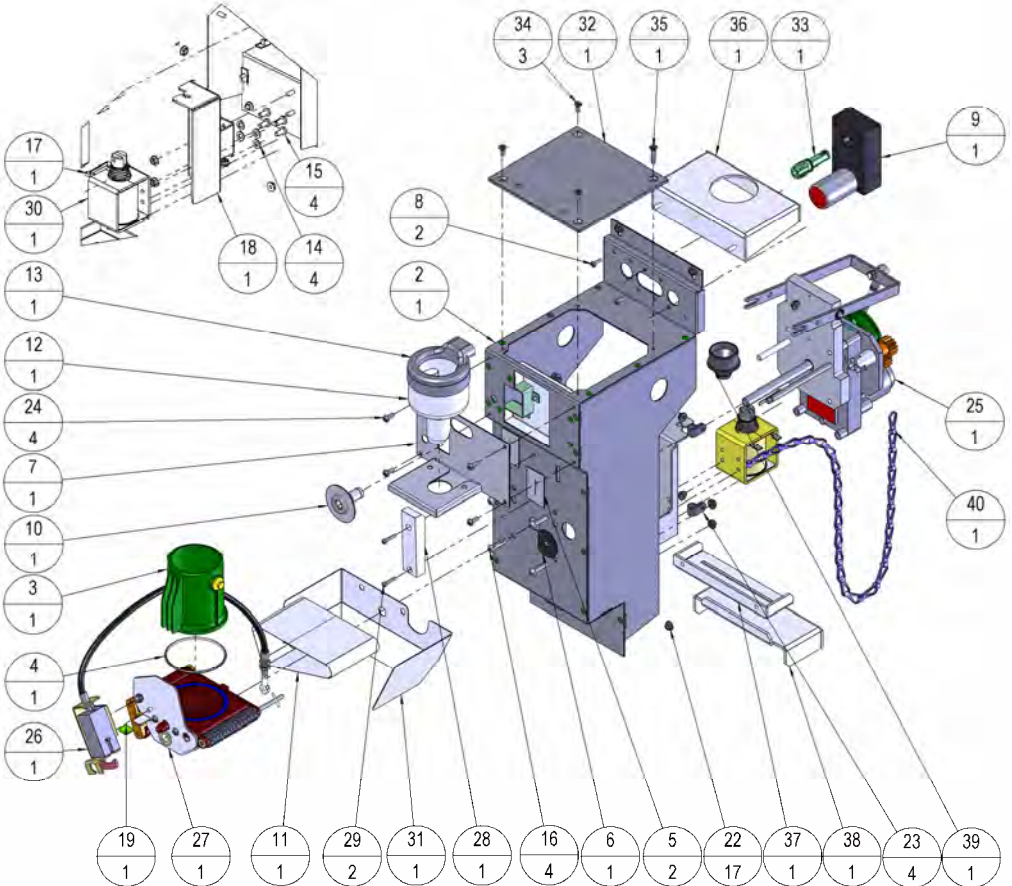
4.12. BTC BREWER SIGMA 201775



ITEM No.	PART No.	DESCRIPTION	QTY
1	246370	BTC MODULE LOOM	1
2	196874	PRESSURE BRACKET - MULTIBREWER	1
3	198521	MULTI-BREWER PRESSURE CYLINDER	1
4	160076	O RING - 60 ID x 2 SECTION NITRILE BLACK 70 SHORE	1
5	196956	GRINDER OUTLET	1
6	161302	CANISTER CHUTE Righthand	1
7	115116	MOTOR GRINDER 24V DC PRELUDE/PRIMO	1
8	198405	MULTIBREWER GRINDER MOUNT LEFT	1
9	196943	CANTILEVER GROMMET	2
10	196944	DRIVE GROMMET	1

11	196879	MULTI-BREWER PRESSURE PLATE	1
12	100085091	SCREW - M4 X 12 REC PAN STEEL	4
13	100085006	MACHINE SCREW PHILLIPS PAN HEAD M4 x 6	5
14	100085122	SCREW - M4 x 10mm PAN REC ST - STEEL	6
15	185319	SCREW - M4 X 16mm PAN CROSS REC	2
16	160150	ADAPTOR BULKHEAD SMALL - 201.0185B	1
17	198423	FILTER BAND	1
18	160085	STEAM HOOD	1
19	160082	1.6 x 8 x11 RECTANGULAR VINYL CAP - GREEN	1
20	100012069	3.15A X 32 ANTI SURGE FUSE (NOT SHOWN)	1
21	146126	16mm ID Black Spiral Wound PVC Ducting 30m Coil (CUT LENGTH 0.45m) (NOT SHOWN)	0.45m
22	186093	NUT M4 SERRATED FLANGED	14
23	100034048	P CLIP - BLACK NX2A	5
24	185322	SCREW - M5 X 20 mm PAN CROSS REC ST / STEEL	4
25	201526	MULTI BREWER DRIVE ASSEMBLY	1
26	201527	MULTIBREWER PLATFORM ASSEMBLY	1
27	100085100	Machine Screw Phillips Pan Head M3 x 16	2
28	198522	MULTI-BREWER FLEXI-BOWL	1
29	154273	MULTI-BREWER PRESSURE SOLENOID	1
30	196877	MULTI-BREWER PRESSURE PINCH BLOCK	1
31	196876	MULTI-BREWER PINCH ARM	1
32	196881	MULTI-BREWER PINCH SUPPORT	1
33	100088065	Cotter Pin Ø3.2 x 25	1
34	188163	E-Clip Ø5	1
35	196878	MULTI-BREWER PUMP	1
36	100046008	3MM x 1.5MM TRANSLUCENT SILICONE TUBING	0.5m
37	154280	PRESSURE RELIEF VALVE 0.4 BAR	1
38	100085028	SCREW - No.6 x 3/8" PAN REC SELF TAP AB	2
39	146172	ELBOW CONNECTOR 3MM ID HOSE	1
40	146170	Y PIECE - 3MM ID HOSE	1
41	100054187	OETIKER CLIP 8.0mm - OET8.0-505R	1
42	196965	BREWER CYLINDER SPACER	1
43	100087076	WASHER - M4 EXTERNAL SHAKEPROOF	5
44	194049	SIGMA BREWER WASTE CHUTE	1
45	194124	EXTRACT PIPE REDUCER 38 - 16	1
46	100091004	CHANDELIER CHAIN	0.57m
47	100085003	SCREW - M4 x 20mm REC STEEL	1
48	194097	SIGMA BREWER SUPPORT BOTTOM	1
49	194096	SIGMA BREWER SUPPORT BOTTOM	1
50	194026	SIGMA BREWER SUPPORT TOP	1

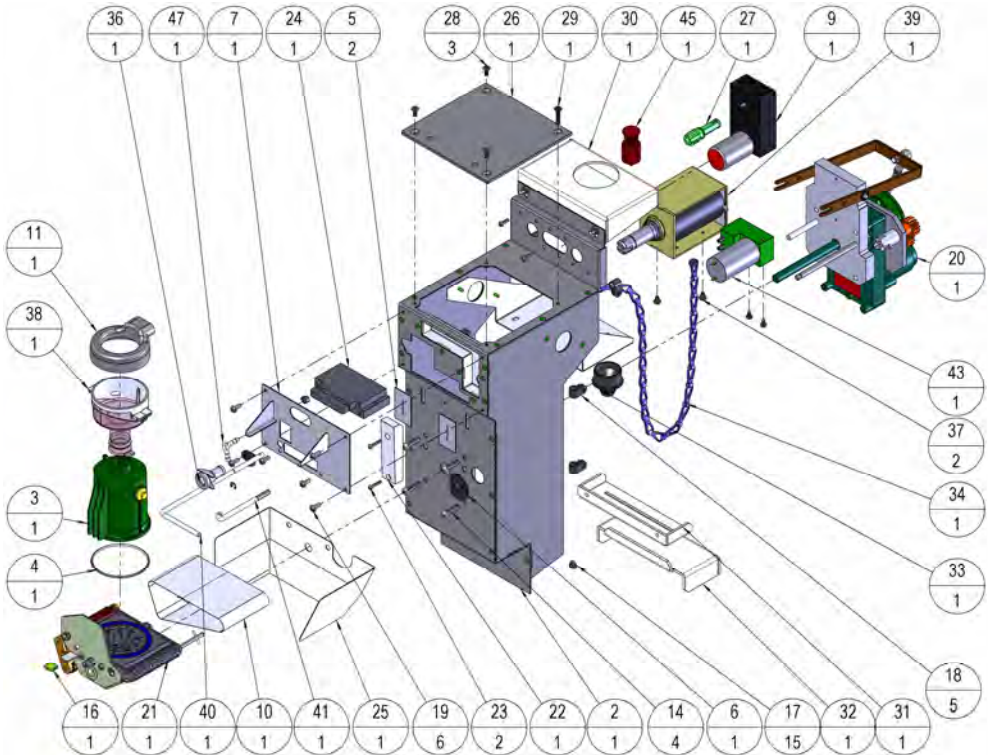
4.13. FBT BREWER SIGMA 201777



ITEM No.	QTY.	PART No.	DESCRIPTION
1	1	246371	FB TEA MODULE LOOM
2	1	196964	MULTI BREWER TEA BRACKET
3	1	196952	BREWER CYLINDER
4	1	160076	O RING - 60 ID x 2 SECTION NITRILE BLACK 70 SHORE
5	2	196943	CANTILEVER GROMMET
6	1	196944	DRIVE GROMMET
7	1	198437	MULTI BREWER EXTRACT PLATE
8	2	185334	SCREW - 3.5 x 10 PLASTECH REC PAN

9	1	161441	MOTOR 130RPM 24VDC - 263.4130A
10	1	160111	BULKHEAD ADAPTOR ROUND - HEP40009-B
11	1	198423	FILTER BAND
12	1	160133	BREWER MIXING BOWL
13	1	160085	STEAM HOOD
14	4	100087008	Plain Washer M5
15	4	100085075	Machine Screw Phillips Pan Head M5 x 10
16	4	185322	SCREW - M5 X 20 mm PAN CROSS REC ST / STEEL
17	1	100088065	Cotter Pin Ø3.2 x 25
18	1	198323	PINCHER SOLENOID BRACKET - PRELUDE
19	1	160082	1.6 x 8 x11 RECTANGULAR VINYL CAP - GREEN
20	1	100012061	3.15A X 32 ANTI SURGE FUSE (NOT SHOWN)
21	0.45m	146126	16mm ID Black Spiral Wound PVC Ducting (CUT LENGTH 0.45m) (NOT SHOWN)
22	17	186093	NUT M4 SERRATED FLANGED
23	5	100034048	P CLIP - BLACK NX2A
24	4	100085122	SCREW - M4 x 10mm PAN REC ST - STEEL
25	1	201526	MULTI BREWER DRIVE ASSEMBLY
26	1	201528	MULTIBREWER PINCHER ASSEMBLY
27	1	201527	MULTIBREWER PLATFORM ASSEMBLY
28	1	196965	BREWER CYLINDER SPACER
29	2	100085100	Machine Screw Phillips Pan Head M3 x 16
30	1	154264	SOLENOID PINCHER - C/W SPRING/E CLIP
31	1	194049	SIGMA BREWER WASTE CHUTE
32	1	194029	SIGMA BREWER MOUNTING PLATE
33	1	291052	21mm Pinion 101.8102R
34	3	185306	SCREW - M4 X 10 LG CSK REC POSI STEEL
35	1	100085135	SCREW - M4 x 20mm CSK REC STEEL
36	1	194026	SIGMA BREWER SUPPORT TOP
37	1	194096	SIGMA BREWER SUPPORT BOTTOM
38	1	194097	SIGMA BREWER SUPPORT BOTTOM
39	1	194124	EXTRACT PIPE REDUCER 38 - 16
40	0.57m	100091004	CHANDELIER CHAIN
41	1	100087076	WASHER - M4 EXTERNAL SHAKEPROOF

4.14. SIGMA FBC BREWER 201776



ITEM No.	QTY.	PART No.	DESCRIPTION
1	1	246370	BTC MODULE LOOM
2	1	196874	PRESSURE BRACKET - MULTIBREWER
3	1	198521	MULTI-BREWER PRESSURE CYLINDER
4	1	160076	O RING - 60 ID x 2 SECTION NITRILE BLACK 70 SHORE
5	2	196943	CANTILEVER GROMMET
6	1	196944	DRIVE GROMMET
7	1	196879	MULTI-BREWER PRESSURE PLATE
8	2	185334	SCREW - 3.5 x 10 PLASTECH REC PAN
9	1	161441	MOTOR 130RPM 24VDC - 263.4130A
10	1	198423	FILTER BAND
11	1	160085	STEAM HOOD
12	1	100012069	3.15A X 32 ANTI SURGE FUSE (NOT SHOWN)
13	0.45m	146126	16mm ID Black Spiral Wound PVC Ducting 30m Coil (CUT LENGTH 0.5m) (NOT HOWN)
14	4	185322	SCREW - M5 X 20 mm PAN CROSS REC ST / STEEL

15	1	100088065	Cotter Pin Ø3.2 x 25
16	1	160082	1.6 x 8 x11 RECTANGULAR VINYL CAP - GREEN
17	15	186093	NUT - M4 SERRATED FLANGED
18	5	100034048	P CLIP - BLACK NX2A
19	6	100085122	SCREW - M4 x 10mm PAN REC ST - STEEL
20	1	201526	MULTI BREWER DRIVE ASSEMBLY
21	1	201527	MULTIBREWER PLATFORM ASSEMBLY
22	1	196965	BREWER CYLINDER SPACER
23	2	100085100	SCREW - M3 x 16 LG REC STEEL
24	1	196877	MULTI-BREWER PRESSURE PINCH BLOCK
25	1	194049	SIGMA BREWER WASTE CHUTE
26	1	194029	SIGMA BREWER MOUNTING PLATE
27	1	291052	21mm Pinion 101.8102R
28	3	185306	SCREW - M4 X 10 LG CSK REC POSI STEEL
29	1	100085135	SCREW - M4 x 20mm CSK REC STEEL
30	1	194026	SIGMA BREWER SUPPORT TOP
31	1	194096	SIGMA BREWER SUPPORT BOTTOM
32	1	194097	SIGMA BREWER SUPPORT BOTTOM
33	1	194124	EXTRACT PIPE REDUCER 38 - 16
34	0.57m	100091004	CHANDELIER CHAIN
35	1	100087076	WASHER - M4 EXTERNAL SHAKEPROOF
36	1	160150	ADAPTOR BULKHEAD SMALL - 201.0185B
37	2	100085006	MACHINE SCREW PHILLIPS PAN HEAD M4 x 6
38	1	198522	MULTI-BREWER FLEXI-BOWL
39	1	154273	MULTI-BREWER PRESSURE SOLENOID
40	1	196876	MULTI-BREWER PINCH ARM
41	1	196881	MULTI-BREWER PINCH SUPPORT
42	1	188163	E-Clip Ø5
43	1	196878	MULTI-BREWER PUMP
44	0.5m	100046008	3MM x 1.5MM TRANSLUCENT SILICONE TUBING
45	1	154280	PRESSURE RELIEF VALVE 0.4 BAR
46	2	100085028	SCREW - No.6 x 3/8" PAN REC SELF TAP AB
47	1	146172	INLINE CONNECTOR 3MM ID HOSE
48	1	146170	Y PIECE - 3MM ID HOSE
49	1	100054187	OETIKER CLIP 8.0mm - OET8.0-505R

4.15. SIGMA FBC BREWER DOUBLE BREW 201727

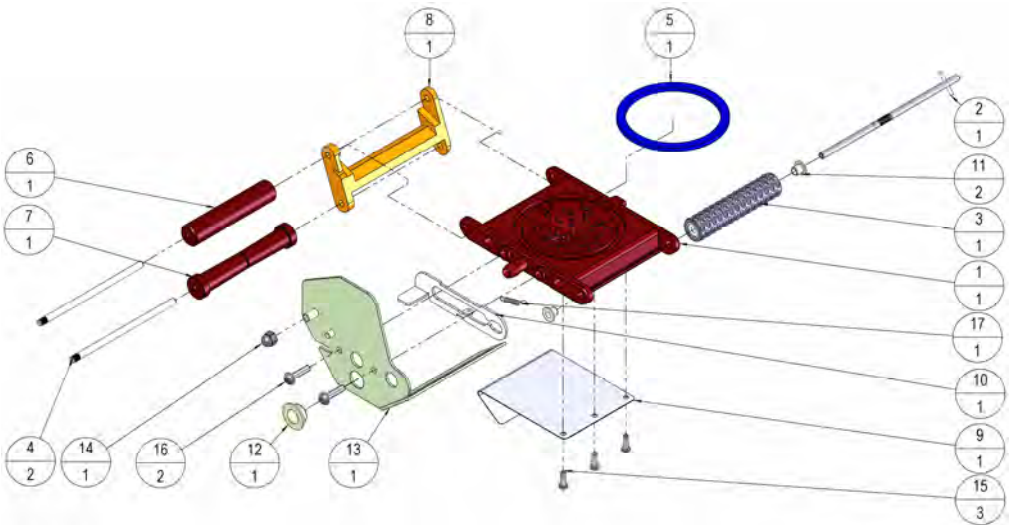
Additional parts used on 'DOUBLE BREW' version: -

161441 'MOTOR 130RPM 24VDC - 263.4130A' – 1-off

291052 '21mm Pinion 101.8102R' – 1-off

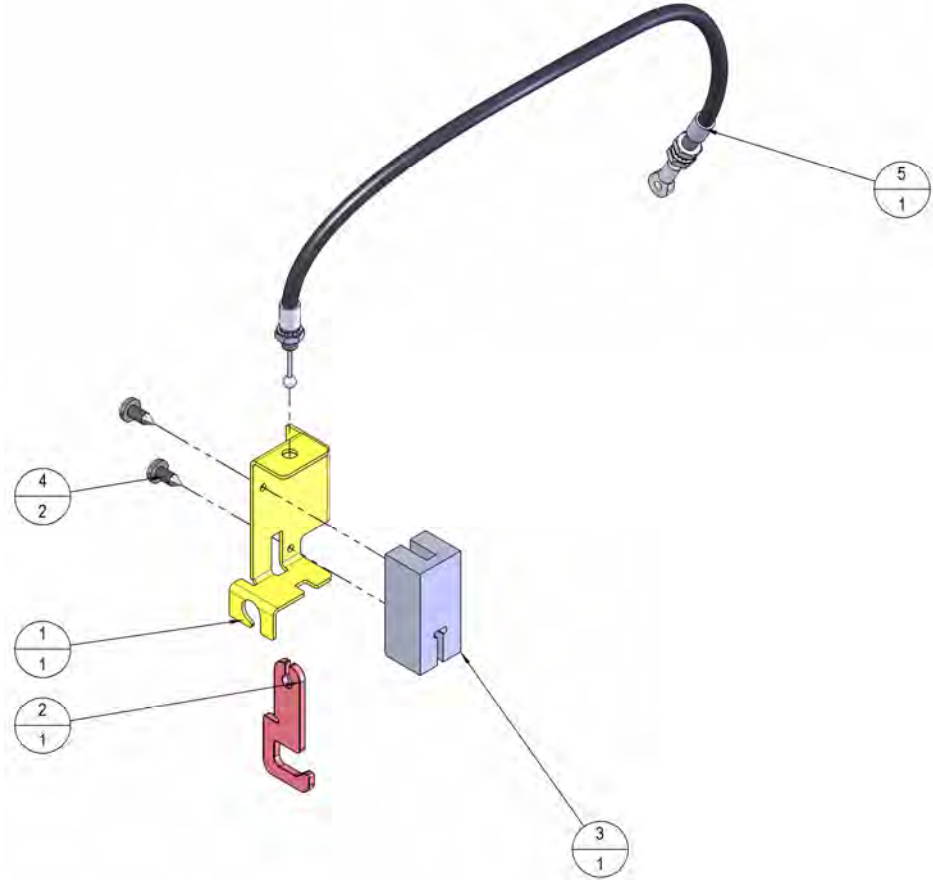
246514 'LOOM - 2FBMULTIBREWER' – 1-off

4.16. MULTIBREWER PLATFORM ASSEMBLY 201527



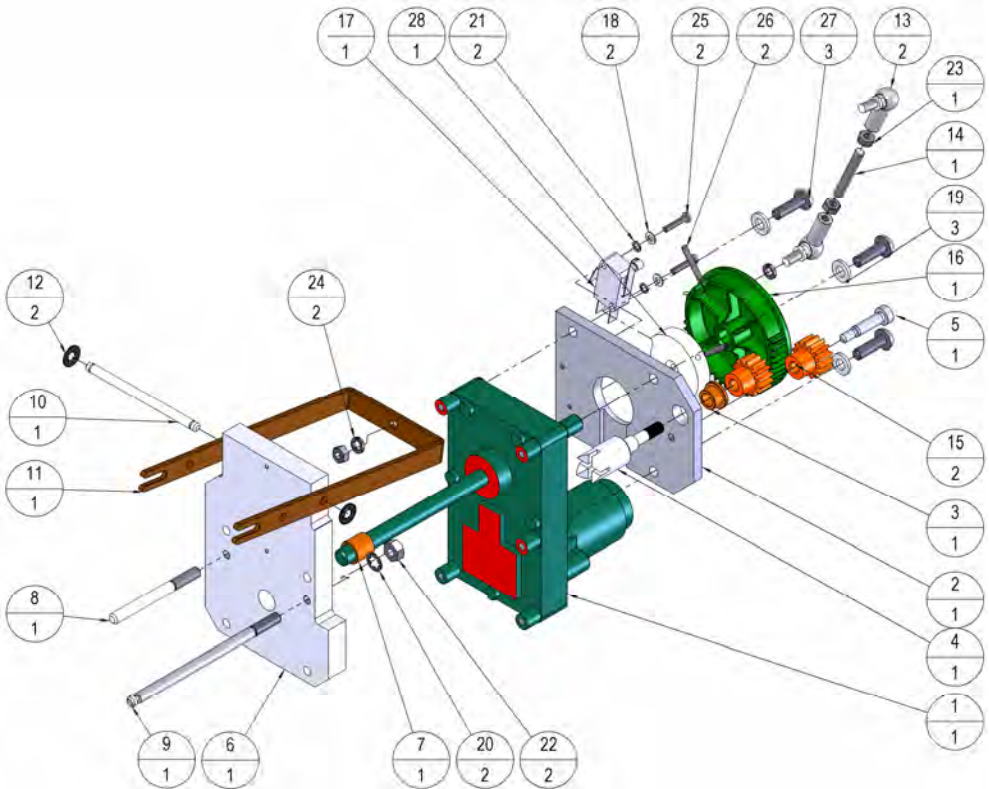
ITEM No.	QTY.	PART No.	DESCRIPTION
1	1	196909	FILTER CARRIAGE
2	1	196954	DRIVE ROLLER AXLE ASSY
3	1	196918	DRIVE ROLLER
4	2	196914	ROLLER ROD
5	1	196917	SEALING RING
6	1	196919	FREE ROLLER
7	1	196920	TENSION ROLLER
8	1	196921	TENSION ARM
9	1	196903	BREWER PLATFORM SPRING
10	1	196950	SLIDING BOLT
11	2	188161	BEARING - iglidur W300 type F - WFM-0405-06
12	1	188160	BEARING - iglidur W300 type F - WFI-0607-04
13	1	196951	CARRIAGE FRONT COVER
14	1	114154	NUT M5 DOME HD A2 ST STEEL
15	3	100085018	Machine Screw Phillips Pan Head M3 x 10
16	2	185319	SCREW - M4 X 16mm PAN CROSS REC
17	1	188168	EXTENSION SPRING - LOCK SLIDE

4.17. MULTIBREWER PINCHER ASSEMBLY 201528



ITEM No.	QTY.	PART No.	DESCRIPTION
1	1	198359	SIGMA - PINCHER BRACKET
2	1	198360	PINCHER HOOK - SIGMA
3	1	198361	SIGMA PINCHER BODY
4	2	185330	3.0 x 10 Plastech Screw S/Steel
5	1	198349	PINCHER BOWDEN CABLE

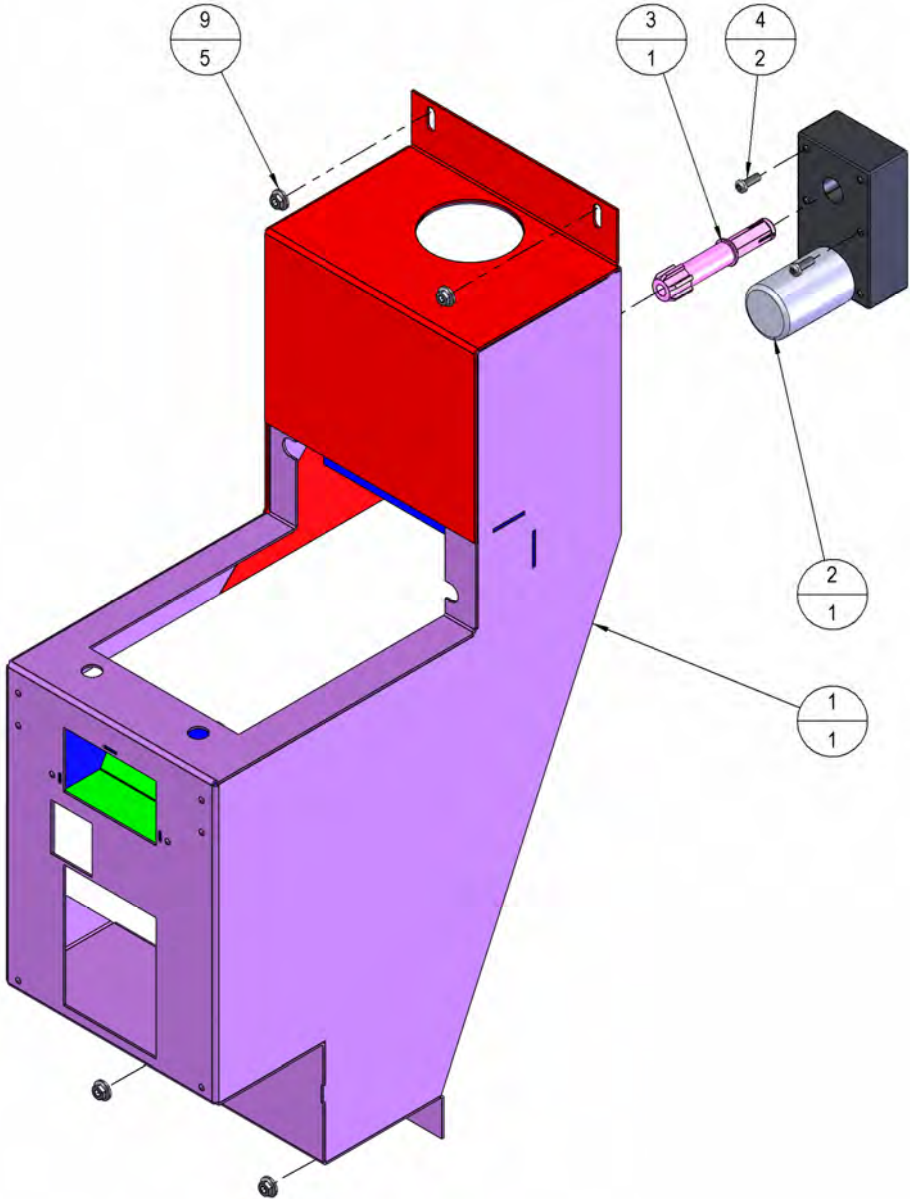
4.18. MULTI BREWER DRIVE ASSEMBLY 201526



ITEM No.	QTY.	PART No.	DESCRIPTION
1	1	115120	24VDC BREWER MOTOR - Mellor FBD1019
2	1	196916	MULTI-BREWE GEAR PANEL
3	1	161245	Oilite Bush - QFM10-8
4	1	196953	GEAR AXLE
5	1	185317	M5x20 Shoulder Screw - HSS5-20
6	1	196902	CANTILEVER BLOCK
7	1	188154	Oilite Bush - QT4-2
8	1	196905	PLATFORM SUPPORT 1
9	1	196906	PLATFORM SUPPORT 2
10	1	196907	CANTILEVER AXLE
11	1	196910	CANTILEVER ARM
12	2	100087025	M5 Starlock
13	2	188145	M5 Ball & Socket Joint - 689-394

14	1	196939	CANTILEVER CONNECTOR STUD
15	2	196940	IDLE GEAR - REAMED AND FACED
16	1	196941	CAM GEAR
17	1	113169	Microswitch - D413-V3RD
18	1	185320	M5 PLAIN WASHER 5 x 19 x 1.5 STEEL PLATED
19	2	100087001	WASHER - M3 A STEEL
20	3	100087055	WASHER-M6 STEEL FORM B
21	2	100087073	M6 INTERNAL SHAKE STEEL
22	2	100087002	M3 INTERNAL SHAKEPROOF
23	2	100086020	NUT - M6 HEX FULL STEEL
24	1	100086023	NUT - M5 HEX FULL STEEL
25	2	188155	WASHER M5 HELICAL SPRUNG
26	2	100085100	Machine Screw Phillips Pan Head M3 x 16
27	2	188153	SLOTTED SPRING PIN 3 x 20mm
28	3	100085205	Machine Screw Phillips Pan Head M6 x 20
29	1	196928	SWITCH CAM

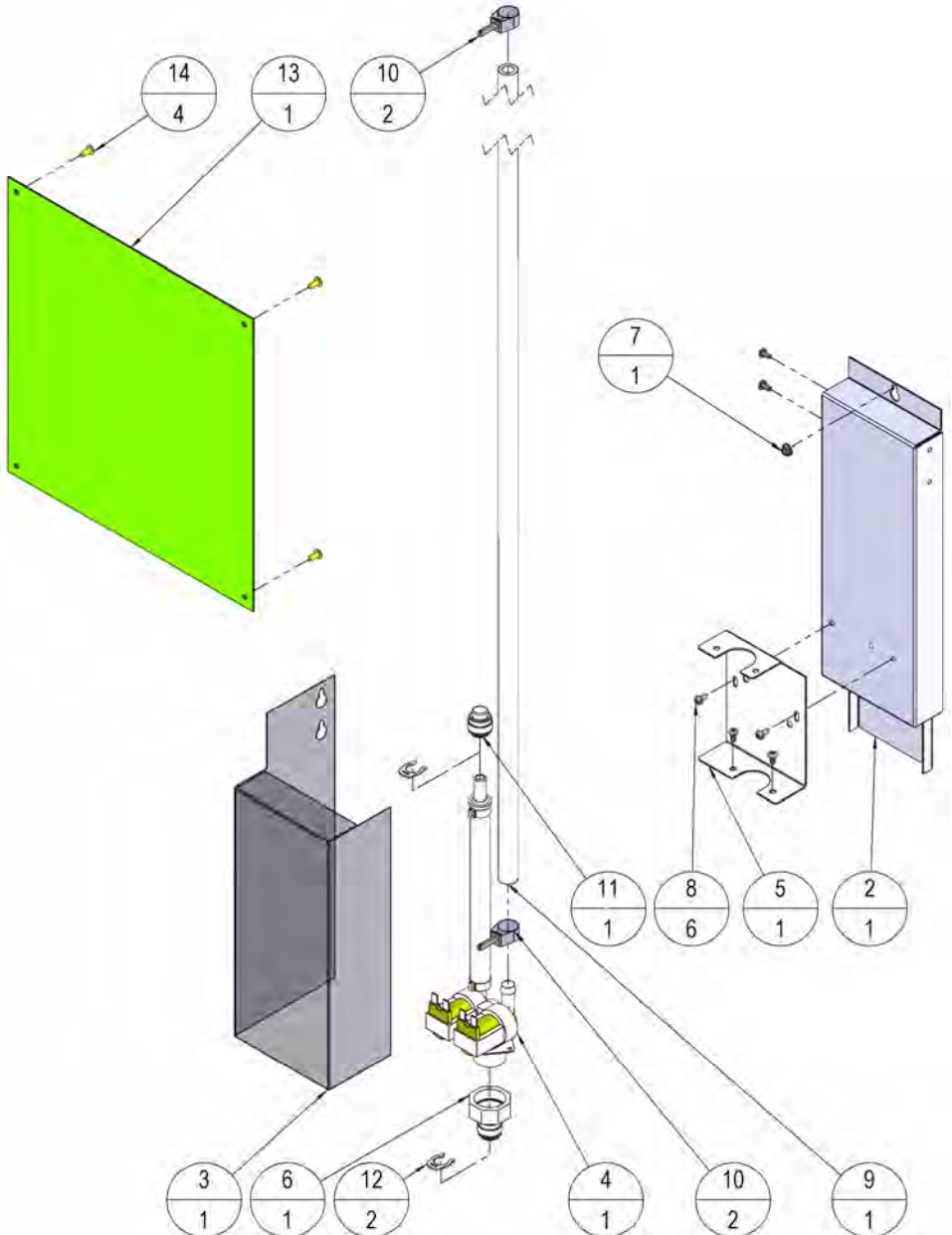
4.19. SIGMA INSTANT MODULE 201726



SIGMA INSTANT MODULE 201726 (cont')

ITEM No.	QTY.	PART No.	DESCRIPTION
1	1	194048	SIGMA INSTANT MODULE BRACKET
2	1	161440	MOTOR 90RPM 24VDC - 263.4090A
3	1	291051	44mm Pinion 101.8102T
4	2	185334	SCREW - 3.5 x 10 PLASTECH REC PAN
5	0.22m	100046015	TUBING-VACUFLEX 1.5 inch BLACK (CUT LENGTH 0.22m) (30 MTRS)
6	1	246369	LOOM - INSTANT MODULE
7	1	100012071	3.15A X 32 ANTI SURGE FUSE (NOT SHOWN)
8	0.7m	100046003	7.8mm ID SILLICONE PIPE
9	5	186093	NUT M4 SERRATED FLANGED

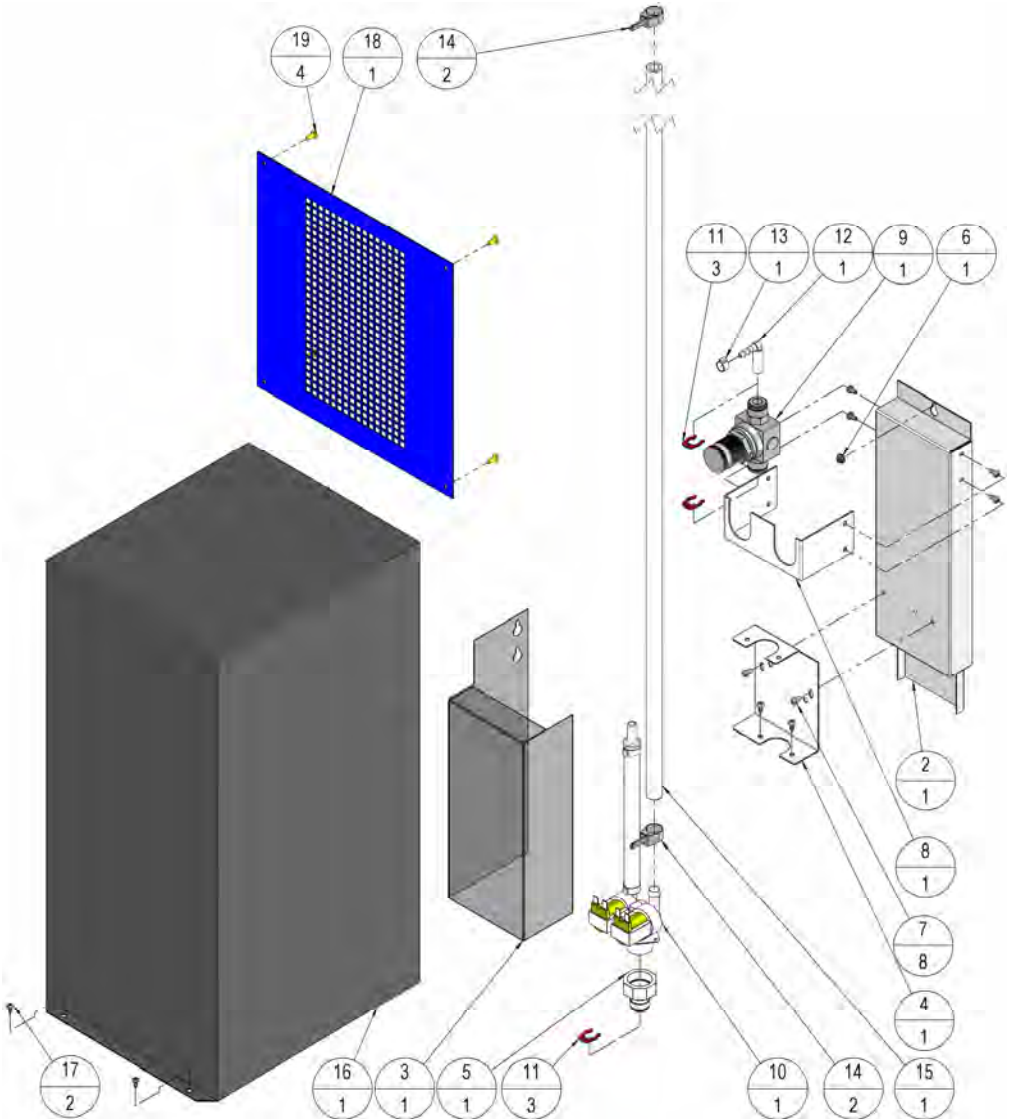
4.20. SIGMA HOT ONLY KIT 912401



SIGMA HOT ONLY KIT 9124014 (cont')

ITEM No.	QTY.	PART No.	DESCRIPTION
1	1	201754	SIGMA WATER GEAR HO
2	1	196345	WATER GEAR MOUNTING PLATE ESP CAFE/ULT
3	1	196758	WATER GEAR COVER
4	1	194098	24V SOLENOID VALVE ASSEMBLY
5	1	196659	VALVE BRKT DOUBLE DUAL ESP.CAF/ULT/SOLO
6	1	148258	NUT - FEMALE ASSY 3/4" BSP x 3/8" TUBE OD
7	1	186093	NUT M4 SERRATED FLANGED
8	6	100085080	SCREW - M4 x 8mm REC STEEL
9	1.16m	100046011	TUBING - VENDFLEX 10 x 16 (1.16 metres)
10	2	100088014	CLIP - UNEX No.17
11	1	154249	PLUG - 3/8 JOHN GUEST
12	2	145104	JOHN GUEST LOCKING CLIP 3/8" RED
13	1	196352	CABINET BLANKING PLATE HOT ONLY ULTIMA
14	4	100088056	RIVET - SEALED 4 x 9.4mm AD53AH

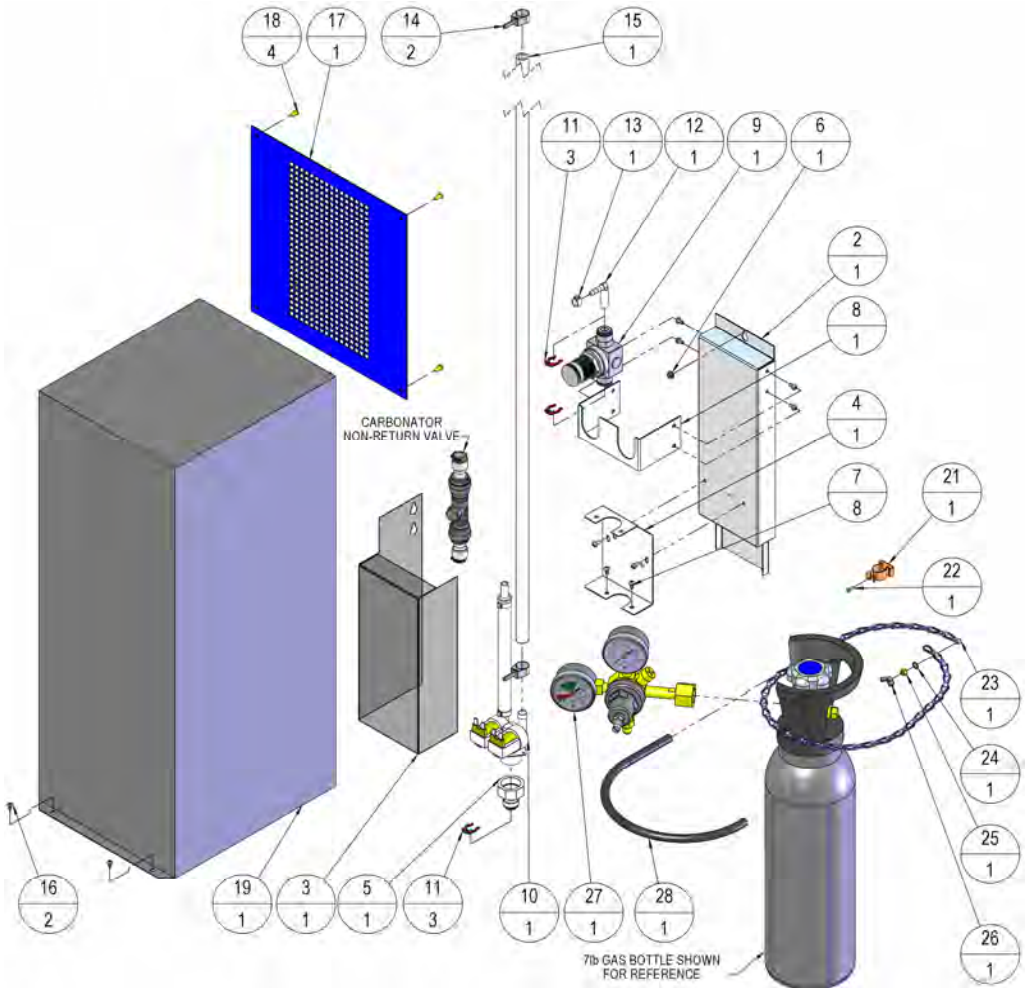
4.21. SIGMA HOT AND COLD KIT 2912402



SIGMA HOT AND COLD KIT 2912402 (cont')

ITEM No.	QTY.	PART No.	DESCRIPTION
1	1	201755	SIGMA WATER GEAR HC & HCC
2	1	196345	WATER GEAR MOUNTING PLATE ESP CAFE/ULT
3	1	196758	WATER GEAR COVER
4	1	196659	VALVE BRKT DOUBLE DUAL ESP.CAF/ULT/SOLO
5	1	148258	NUT - FEMALE ASSY 3/4" BSP x 3/8" TUBE OD
6	1	186093	NUT M4 SERRATED FLANGED
7	8	100085080	SCREW - M4 x 8mm REC STEEL
8	1	197624	BRACKET TWIN REGULATOR
9	1	RD119067	WATER REGULATOR 0-8 BAR
10	1	194098	24V SOLENOID VALVE ASSEMBLY
11	3	145104	JOHN GUEST LOCKING CLIP 3/8" RED
12	1	100054082	ELBOW - 3/8 INCH STEM TO 1/4 INCH BARB
13	1	100050131	OETIKER CLIP 10.5
14	2	100088014	CLIP - UNEX No.17
15	1.16m	100046011	TUBING - VENDFLEX 10 x 16 (1.16 metres)
16	1	151074	CHILLER ZIRCON 24V 2 FLAV - 220V
17	2	100085028	SCREW - No.6 x 3/8" PAN REC SELF TAP AB
18	1	197619	PLATE FAN GRILL E-CAFE / ULT / AMERICANO / EN
19	4	100088056	RIVET - SEALED 4 x 9.4mm AD53AH

4.22. SIGMA HOT COLD CARB KIT 2912403



SIGMA HOT COLD CARB KIT 2912403 (cont')

ITEM No.	QTY.	PART No.	DESCRIPTION
1	1	201755	SIGMA WATER GEAR HC & HCC
2	1	196345	WATER GEAR MOUNTING PLATE ESP CAFE/ULT
3	1	196758	WATER GEAR COVER
4	1	196659	VALVE BRKT DOUBLE DUAL ESP.CAF/ULT/SOLO
5	1	148258	NUT - FEMALE ASSY 3/4" BSP x 3/8" TUBE OD
6	1	186093	NUT M4 SERRATED FLANGED
7	8	100085080	SCREW - M4 x 8mm REC STEEL
8	1	197624	BRACKET TWIN REGULATOR
9	1	RD119067	WATER REGULATOR 0-8 BAR
10	1	194098	24V SOLENOID VALVE ASSEMBLY
11	3	145104	JOHN GUEST LOCKING CLIP 3/8" RED
12	1	100054082	ELBOW - 3/8 INCH STEM TO 1/4 INCH BARB
13	1	100050131	OETIKER CLIP 10.5
14	2	100088014	CLIP - UNEX No.17
15	1	100046011	TUBING - VENDFLEX 10 x 16 (1.16 metres)
16	2	100085028	SCREW - No.6 x 3/8" PAN REC SELF TAP AB
17	1	197619	PLATE FAN GRILL E-CAFE / ULT / AMERICANO / EN
18	4	100088056	RIVET - SEALED 4 x 9.4mm AD53AH
19	1	151087	COBALT CARB 2F 24LVD 220V BASSETT BOARD
20	1	201143	GAS CANISTER RETAINER
21	1	100088038	CLIP - TERRY 5/8in
22	1	100088002	RIVET - TSF D46 BS 3.2 7.9 WHITE
23	1	100091004	CHANDELIER CHAIN
24	1	100087007	WASHER - M5 INTERNAL SHAKE STEEL
25	1	100086034	NUT-FULL M5 HEX BRASS
26	1	186098	Wing Nut M5
27	1	100054174	CO2 REGULATOR-DUAL GAUGE PRE-SET AT 50PS
28	1	100034013	SLEEVEING - 10MM BLACK PVC

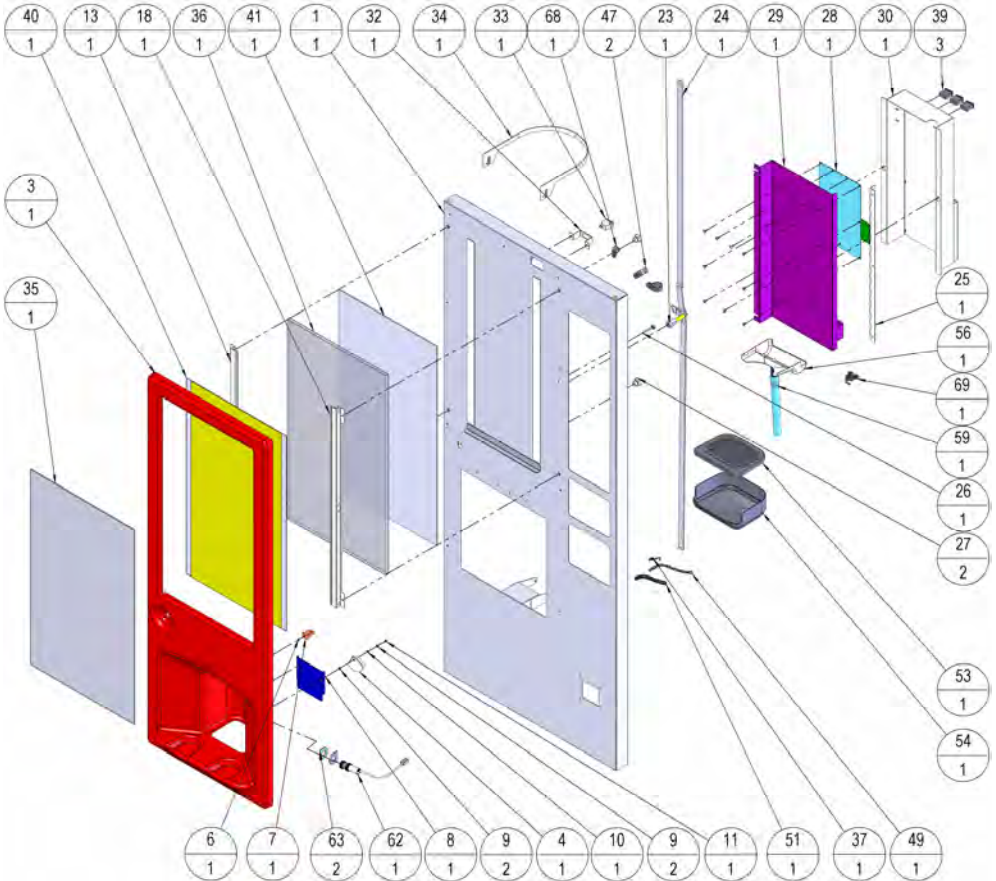
4.23. MODEL OPTIONS (Instant Only, Chiller, Carbonator, etc)

Model Option	Sub-Assembly	Description
912401	-	SIGMA WATER GEAR HO
912532	2912402	SIGMA HOT AND COLD KIT - IO
912533	2912403	SIGMA HOT COLD CARB KIT - IO
912534	2912402	SIGMA HOT AND COLD KIT - SFBT
912535	2912403	SIGMA HOT COLD CARB KIT - SFBT
912536	2912402	SIGMA HOT AND COLD KIT - DFB
912537	2912403	SIGMA HOT COLD CARB KIT - DFB
912538	2912402	SIGMA HOT AND COLD KIT - TFB
912539	2912403	SIGMA HOT COLD CARB KIT - TFB
912540	2912402	SIGMA HOT AND COLD KIT - SWB
912541	2912403	SIGMA HOT COLD CARB KIT - SWB
912542	2912402	SIGMA HOT AND COLD KIT - WB-FBT
912543	2912403	SIGMA HOT COLD CARB KIT - WB-FBT

Key: -

Model Code	Description
IO	Instant Only
SFBT	Single Fresh Brew Tea
DFB	Double Fresh Brew
TFB	Triple Fresh Brew
SWB	Single Whole Bean
WB-FBT	Whole Bean – Fresh Brew Tea

4.24. SIGMA DOOR ASSY 201752

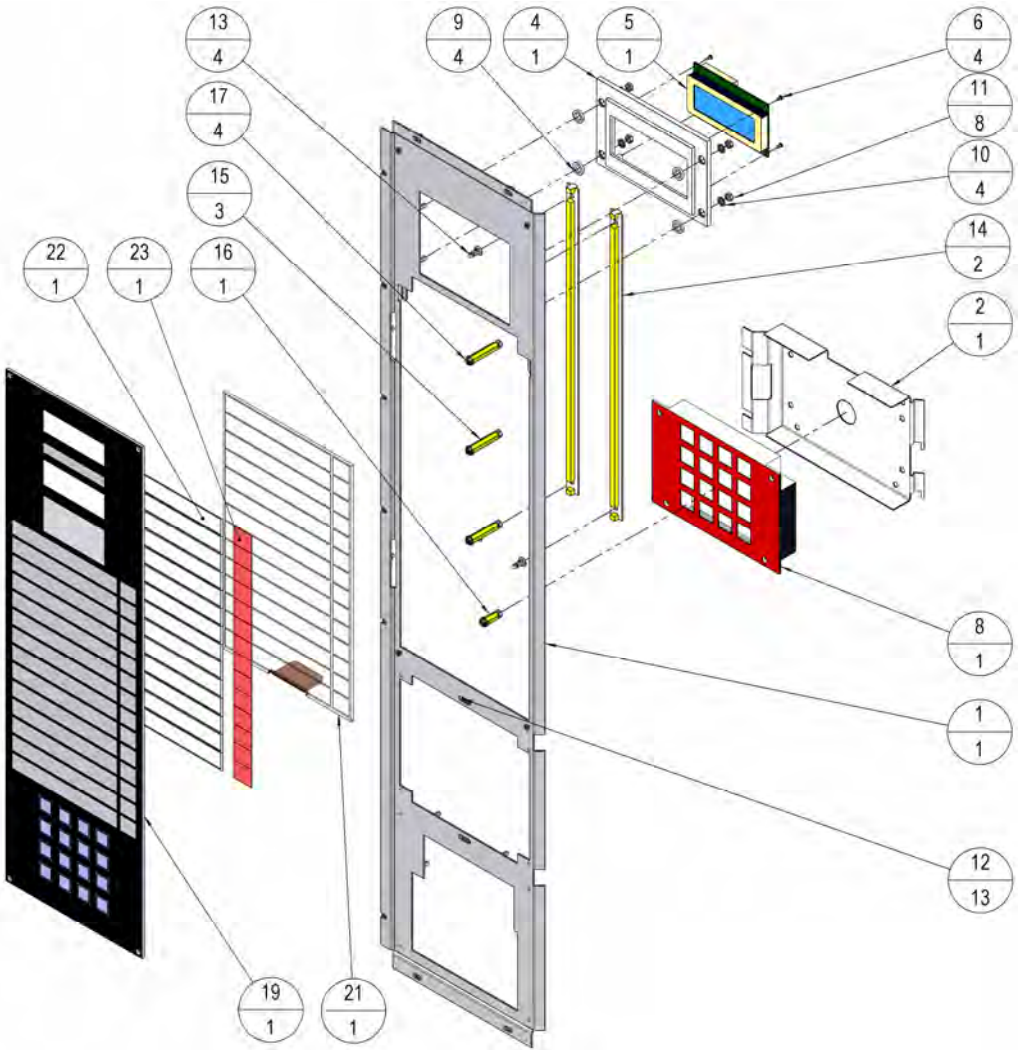


SIGMA DOOR ASSY 201752 (cont')

ITEM No.	QTY.	PART No.	DESCRIPTION
1	1	194000	Sigma Door
2	1	201715	SIGMA CUP STATION ASSEMBLY
3	1	194220	SIGMA DOOR MOULDING
4	1	100096165	TRAY WASTE TAB SOLO ULT/TEMP
5	2	186093	NUT M4 SERRATED FLANGED
6	1	100088013	RIVET 1/8" DH x 1/4"
7	1	100088038	CLIP TERRY 5/8"
8	1	196468	WASTE MOUNT - MOUNTING PLATE ASSY
9	2	100087004	WASHER - M4 C STEEL Z/PLTD
10	1	100087003	WASHER - M4 A STEEL Z/PLTD
11	1	100086003	Nyloc Nut M4
12	1	201145	AZURE LED RETAINER LEFT
13	1	197137	AZURE L.E.D. RETAINER LEFT
14	4	141104	SPACER - REVERSE LOCKING PCB MOUNT
15	1	197140	LED STRIP – FEMALE CONNECTOR & FLYING LEAD
16	1	197139	LED STRIP – MALE CONNECTOR
17	1	201146	AZURE LED RETAINER RIGHT
18	1	197138	AZURE L.E.D. RETAINER RIGHT
19	4	141104	SPACER - REVERSE LOCKING PCB MOUNT
20	1	197139	LED STRIP – MALE CONNECTOR
21	1	197140	LED STRIP – FEMALE CONNECTOR & FLYING LEAD
22	1	294009	DOOR LOCK ASSEMBLY AZURE / SOLO
23	1	184224	LOCK AND KEYS
24	1	190021	SOLO ENCORE LOCK ASSY
25	1	196783	PROCESSOR DOOR HINGE SOLO ENC
26	1	197147	SCREW - M5 x 40 ADJ KNURL PANEL RETAIN
27	2	186094	KNOB - STAR FEMALE 25 MM DIA M4
28	1	201651	PCB SIGMA ASSY - CPU I/O USB
29	1	194010	SIGMA CPU AND MENU LIGHTING BOX
30	1	194011	SIGMA CPU COVER
31	26	186093	NUT M4 SERRATED FLANGED
32	1	197150	Azure Door Switch Mounting
33	1	100013130	MONA PUSH SWITCH
34	1	194021	SIGMA CAROUSEL RETAINER

35	1	197146-1	AZURE DOOR POLYCARBONATE PANEL
36	1	194002	SIGMA LIGHTING PANEL
37	1	200030033	EARTH STRAP ASSY
38	9	141104	SPACER - REVERSE LOCKING PCB MOUNT
39	3	113170	FLUSH FUNCTION SWITCH
40	1	194004	AZURE DISPLAY GRAPHIC
41	1	194003	PERSPEX 3MM WHITE 705 x 403 MACHINED SIG
42	7	100086026	Wing Nut M4
43	2	100061070	BUSH (DOOR)
44	2	100088003	RIVET - TSF D46 BS 3.2 7.9 WHITE
45	1	100088049	CLIP - SPRING RETAINING
46	1	134113	BUSH BEARING FLANGED PLASTIC 6MM ID 8MM
47	2	100034065	P CLIP-BLACK NX14
48	4	100087076	WASHER - M4 EXTERNAL SHAKEPROOF
49	0.2m	100091004	CHANDELIER CHAIN
50	1	100087004	WASHER - M4 C STEEL Z/PLTD
51	0.1m	100034013	SLEEVING - 10MM BLACK PVC
52	2	100085091	SCREW - M4 X 12 REC PAN STEEL
53	1	100035462	GRILL - CUP STATION
54	1	198515	PRELUDE BASE CABINET WASTE TRAY
55	1	246509	SIGMA FLUSH BUTTONS LOOM
56	1	194125	MIDI PURGE CHUTE
57	1	134120	FOOT - STICKY 16.5MM DIA x 10.2MM H
58	1	194137	SIGMA LOCK SECURITY COVER
59	0.2m	100046009	17mm ID SILLICONE PIPE
60	3	100036243	LABEL-EARTH WARNING (NOT SHOWN)
61	1	201203	CUP SENSOR ASSEMBLY AZURE
62	1	119067	PHOTOELECTRIC CUP SENSOR - BALLUFF
63	2	187100	WASHER - M16 D STZ ZINC TAPERED
64	4	10001013	PIN CONTACT 16AWG MOLEX (NOT SHOWN)
65	1	100010112	4 WAY DUAL ROW MOLEX CONNECTOR
66	3	185306	SCREW - M4 X 10 LG CSK REC POSI STEEL
67	3	185244	SCREW - M4 x 6 LG CSK POZI
68	1	100034005	P CLIP - BLACK NX8
69	1	201597	USB AUDIT MODULE KIT

4.25. SIGMA MULTI CHOICE MENU PANEL 201714



SIGMA MULTI CHOICE MENU PANEL (cont')

ITEM No.	QTY.	PART No.	DESCRIPTION
1	1	194057	SIGMA MENU PANEL FRAME
2	1	194127	SIGMA MULTI-CHOICE KEYPAD BOX
3	1	201751	LCD DISPLAY ASSY
4	1	135523	LCD BEZEL
5	1	190008	LCD DISPLAY - BLUE
6	4	100085133	SCREW No. 2 x 1/4 in REC S/T AB
7	4	185331	SCREW - M3 x 10 LG CSK POZI
8	1	194061	SIGMA MULTICHOICE CHOICE TOUCH SENSITVE KEYPAD
9	4	100087047	HYCO - 040 3637
10	4	100087004	WASHER - M4 C STEEL Z/PLTD
11	8	100086002	NUT M4 HEX FULL STEEL
12	13	186093	NUT M4 SERRATED FLANGED
13	4	141104	SPACER - REVERSE LOCKING PCB MOUNT
14	2	197140	LED STRIP – FEMALE CONNECTOR & FLYING LEAD
15	3	194151	MENU SPACER LONG
16	1	194150	MENU SPACER MEDIUM
17	4	134106	MUSHROOM BUMPER
18	1	201671	MENU KIT WVS MULTI CHOICE
19	1	194005	SIGMA MENU PANEL
20	1	201796	SIGMA M/CHOICE FORMER & LABELS
21	1	194059	SIGMA MULTI CHOICE MENU FORMER PANEL
22	1	139300	SIGMA MULTI-CHOICE LABEL SET - UK
23	1	138005	SINGLE PRICE LABEL

4.26. SIGMA FINISHING KIT INSTANT 201792

Kit for use with INSTANT ONLY machine type 1 – 90400 in conjunction with the MULTI-CHOICE MENU ASSEMBLY.

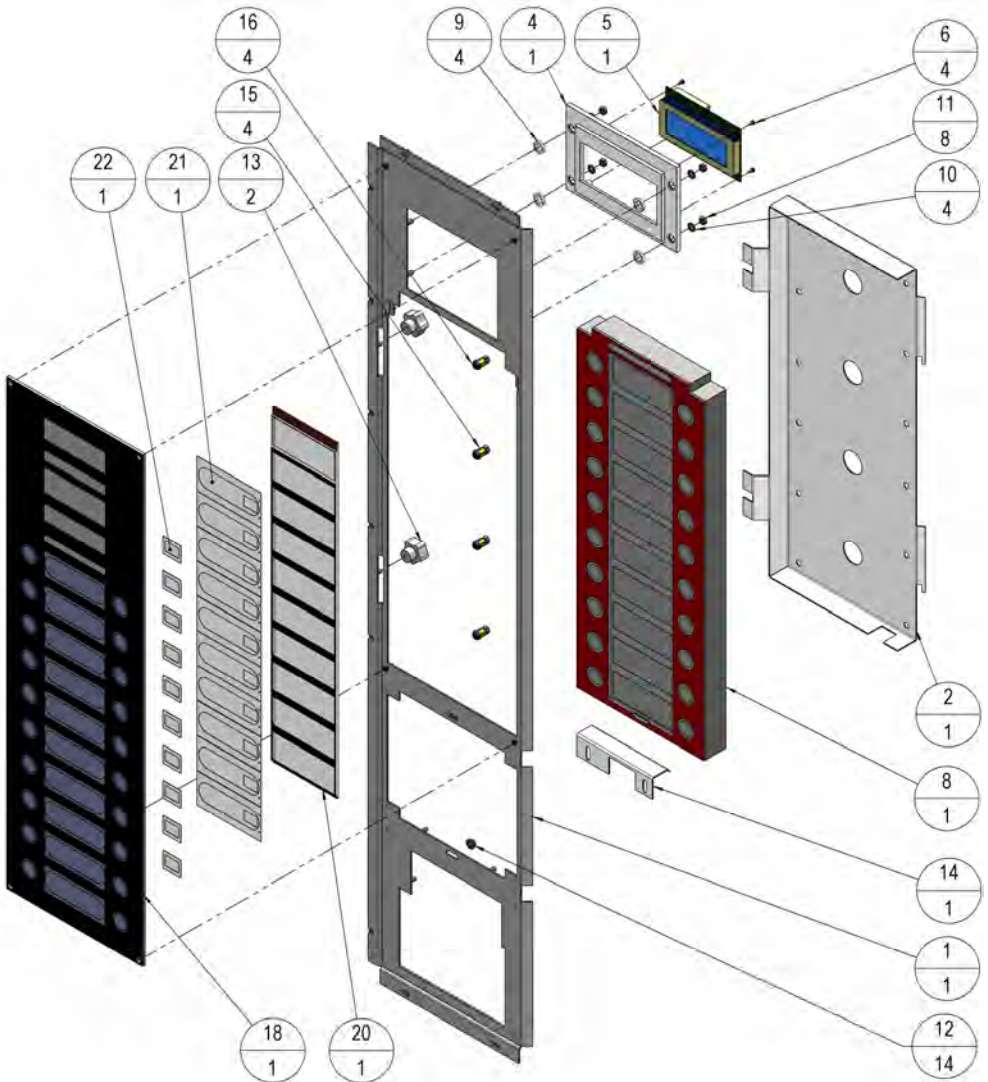
PART No.	QTY.	DESCRIPTION
201792	1	<i>SIGMA FINISHING KIT INSTANT</i>
138990	1	CANISTER LABELS
01Z460001	1	HOSE INLET STRAIGHT INC.VALVE
190058	1	FLOOR MAT 1.5MM X 300MM X 250MM
100035014	1	BUCKET-WASTE WHITE 15LTR WITH HANDLE
100016046	2	VALVE THUMB ADJUSTER
100099018	1	WALLET-RED A5 ZIPPED
300010179	1	PLASTIC BAG-RESEALABLE
100034087	1	CABLE TIE - 100 MM BLACK
100035158	1	COVER-POLY DUST 31x29x66
201799	1	<i>SIGMA FUSE KIT</i>

4.27. SIGMA FINISHING KIT BREWER 201780

Kit for use with machine types 2 to 9 – 90401 through 90408 in conjunction with the MULTI-CHOICE MENU ASSEMBLY.

PART No.	QTY.	DESCRIPTION
201780	1	<i>SIGMA FINISHING KIT BREWER</i>
138990	1	CANISTER LABELS
01Z460001	1	HOSE INLET STRAIGHT INC.VALVE
190058	2	FLOOR MAT 1.5MM X 300MM X 250MM
100035014	1	BUCKET-WASTE WHITE 15LTR WITH HANDLE
135589	1	BUCKET-WASTE GREY 40LTR
100046009	0.3m	TUBING-WHITE SILICONE 17.0mmIDx2.5mm WAL
100016046	2	VALVE THUMB ADJUSTER
100099018	1	WALLET-RED A5 ZIPPED
300010179	1	PLASTIC BAG-RESEALABLE
100034087	1	CABLE TIE - 100 MM BLACK
100035158	1	COVER-POLY DUST 31x29x66
201799	1	<i>SIGMA FUSE KIT</i>

4.28. SIGMA DIRECT CHOICE MENU PANEL ASSEMBLY 201713



SIGMA DIRECT CHOICE MENU PANEL ASSEMBLY (cont')

ITEM No.	QTY.	PART No.	DESCRIPTION
1	1	194057	SIGMA MENU PANEL FRAME
2	1	194128	SIGMA DIRECT-CHOICE KEYPAD BOX
3	1	201751	LCD DISPLAY ASSY
4	1	135523	LCD BEZEL
5	1	190008	LCD DISPLAY - BLUE
6	4	100085133	SCREW No. 2 x 1/4 in REC S/T AB
7	4	185331	SCREW - M3 x 10 LG CSK POZI
8	1	194060	SIGMA DIRECT CHOICE TOUCH SENSITIVE KEYPAD
9	4	100087047	HYCO - 040 3637
10	4	100087004	WASHER - M4 C STEEL Z/PLTD
11	8	100086002	NUT M4 HEX FULL STEEL
12	14	186093	NUT M4 SERRATED FLANGED
13	2	186094	KNOB - STAR FEMALE 25 MM DIA M4
14	1	194143	DIRECT CHOICE SUPPORT
15	4	194149	MENU SPACER SHORT
16	4	134106	MUSHROOM BUMPER
**17	1	201675	MENU KIT WVS DIRECT CHOICE 8
18	1	194055	SIGMA DIRECT CHOICE MENU PANEL
19	1	201797	SIGMA DIRECT SELECTION FORMER & LABELS
20	1	194058	SIGMA DIRECT CHOICE MENU FORMER PANEL
21	1	139301	SIGMA DIRECT-CHOICE DRINKS LABEL
22	1	138050	SINGLE PRICE LABEL 2008

****201675 MENU KIT WVS DIRECT CHOICE 8 (8 drinks)**

For machine types; 90402, 90403, 90404, 90405, 90406, 90407, 90408

OR

201672 MENU KIT WVS DIRECT CHOICE 7 (7 drinks)

For machine types; 90400, 90401, 90409

4.29. SIGMA FINISHING KIT DC INSTANT 201659

Kit for use with INSTANT ONLY machine type 1 – 90400 in conjunction with the DIRECT CHOICE MENU ASSEMBLY.

PART No.	QTY.	DESCRIPTION
201659	1	<i>SIGMA FINISHING KIT DC INSTANT</i>
138990	1	CANISTER LABELS
01Z460001	1	HOSE INLET STRAIGHT INC.VALVE
190058	1	FLOOR MAT 1.5MM X 300MM X 250MM
100035014	1	BUCKET-WASTE WHITE 15LTR WITH HANDLE
100016046	2	VALVE THUMB ADJUSTER
100099018	1	WALLET-RED A5 ZIPPED
300010179	1	PLASTIC BAG-RESEALABLE
100034087	1	CABLE TIE - 100 MM BLACK
100035158	1	COVER-POLY DUST 31x29x66
201799	1	<i>SIGMA FUSE KIT</i>

4.30. SIGMA FINISHING KIT DC BREWER 201798

Kit for use with machine types 2 to 9 – 90401 through 90408 in conjunction with the DIRECT CHOICE MENU ASSEMBLY.

PART No.	QTY.	DESCRIPTION
201798	1	<i>SIGMA FINISHING KIT DC BREWER</i>
138990	1	CANISTER LABELS
01Z460001	1	HOSE INLET STRAIGHT INC.VALVE
190058	2	FLOOR MAT 1.5MM X 300MM X 250MM
100035014	1	BUCKET-WASTE WHITE 15LTR WITH HANDLE
135589	1	BUCKET-WASTE GREY 40LTR
100046009	0.3	TUBING-WHITE SILICONE 17.0mmIDx2.5mm WAL
100016046	2	VALVE THUMB ADJUSTER
100099018	1	WALLET-RED A5 ZIPPED
300010179	1	PLASTIC BAG-RESEALABLE
100034087	1	CABLE TIE - 100 MM BLACK
100035158	1	COVER-POLY DUST 31x29x66
201799	1	<i>SIGMA FUSE KIT</i>

4.31. SIGMA FREE VEND KIT 201762

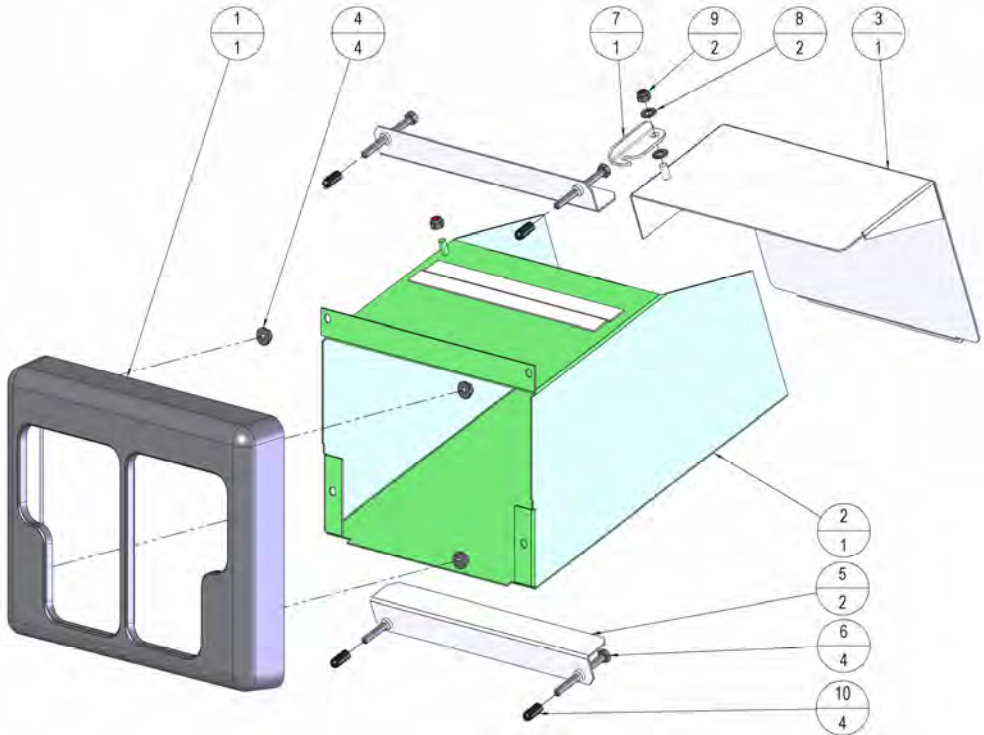
Pt No.	Qty	Description
201762		SIGMA FREE VEND KIT
194063F**	1	CASHLESS BLANKING PLATE PRINTED SIGMA
194065A**	1	FREE VEND PANEL SIGMA - FACE
100090386	1	BLANKING PLATE-REJECT BEZEL
185331	8	SCREW - M3 x 10 LG CSK POZI
186093	4	NUT M4 SERRATED FLANGED

** Part number will require confirmation at time of ordering.

4.32. SIGMA CASHLESS AREA OPTIONS

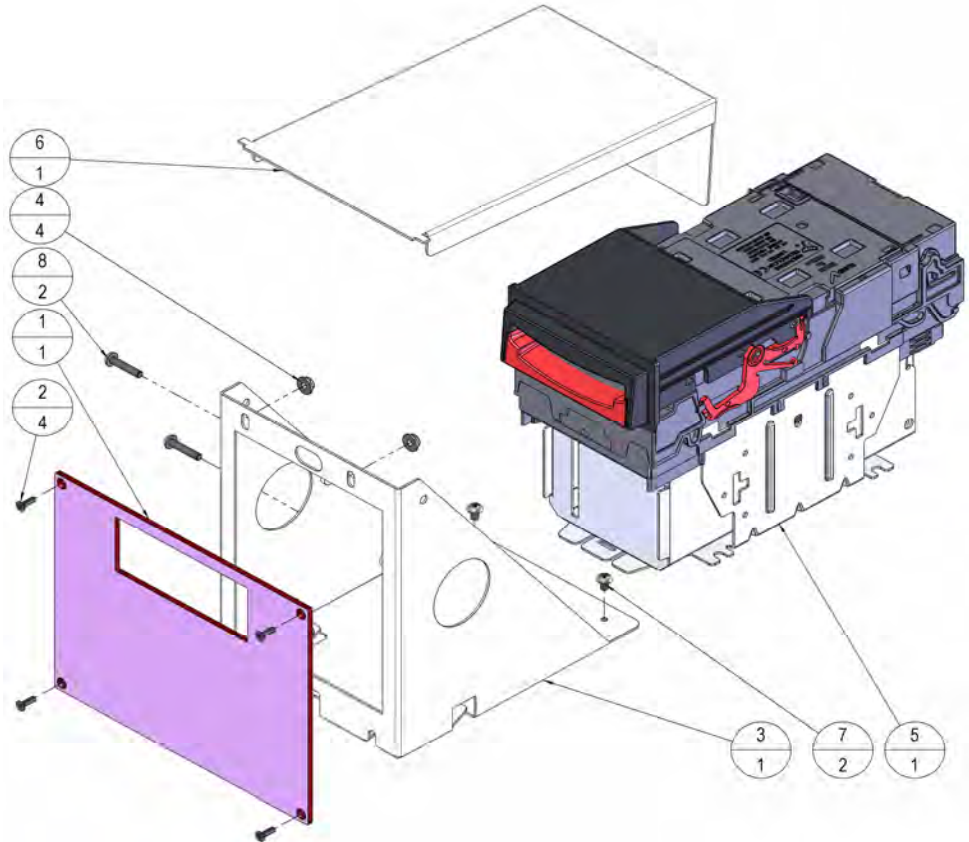
Kit No.	Description
201758	SIGMA GIS SAPPHIRE CASHLESS KIT
201759	SIGMA VMC METRO CASHLESS KIT
201760	SIGMA CARDINAL CASHLESS KIT
201761	SIGMA ZIP CASHLESS KIT
201670	SIGMA COUNTER SOLUTIONS CASHLESS KIT
201794	LID DISPENSE KIT (see next page)
201793	SIGMA CASHLESS BLANKING KIT
201832	SIGMA NV9 USB BILL ACCEPTOR KIT

4.33. LID DISPENSE KIT 201794



ITEM No.	QTY.	PART No.	DESCRIPTION
1	1	194144	LID DISPENSE - BEZEL
2	1	194145	LID DISPENSE - BOX
3	1	194146	LID DISPENSE - COVER
4	4	186093	NUT M4 SERRATED FLANGED
5	2	194147	LID DISPENSE - BRACKET
6	4	185235	SCREW - M4 X 40mm HEX HEAD ZINC PLATED
7	1	196429	SUMP LATCH INT/ULT/ESP
8	2	100087004	WASHER - M4 C STEEL Z/PLTD
9	2	100086003	Nyloc Nut M4
10	4	188131	STUD COVER 3.48MM X 12.7MM

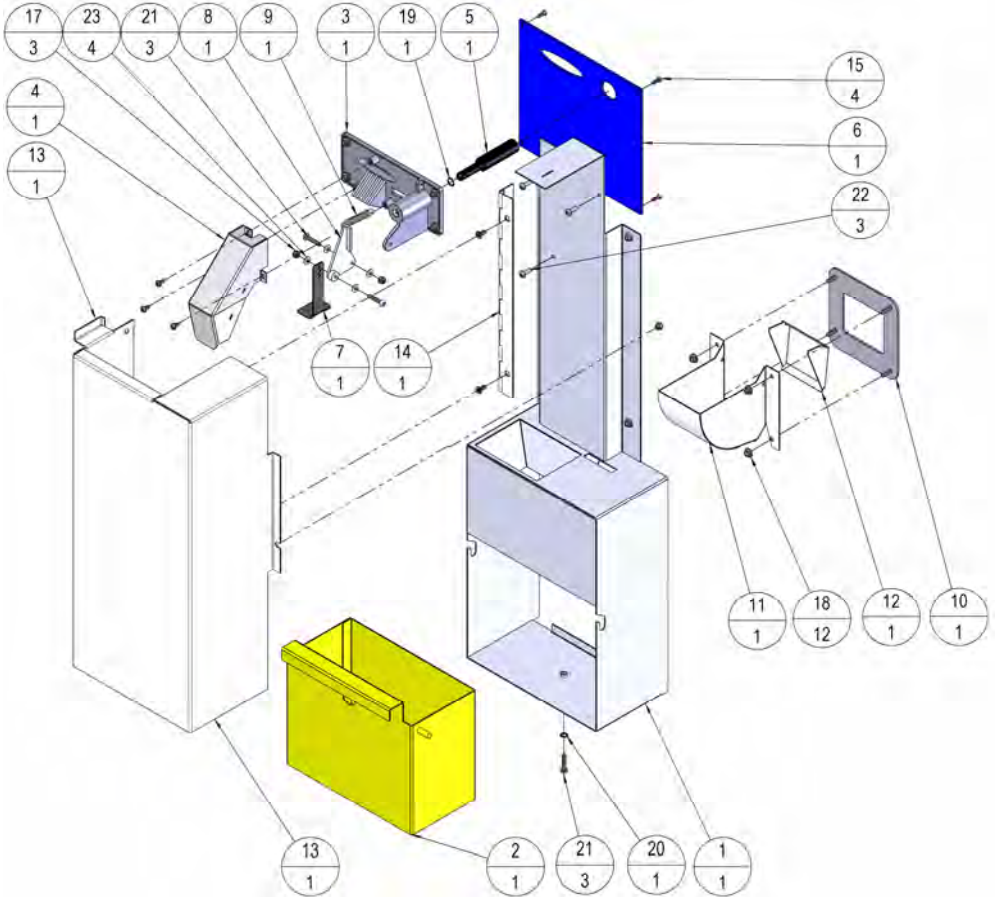
4.34. SIGMA NV9 USB BILL ACCEPTOR KIT 201832



ITEM No.	QTY.	PART No.	DESCRIPTION
1	1	194063E**	SIGMA CASHLESS MOUNTING PLATE- UNIVERSAL
2	4	185331	SCREW - M3 x 10 LG CSK POZI
3	1	194216	SIGMA NV9 USB-101 CRADLE
4	4	186093	NUT M4 SERRATED FLANGED
5	1	810110	NV9 USB -101 BILL ACC MDB IF5 AUSTRALIAN 5, 10, 20
6	1	194217	SIGMA NV9 USB-101 COVER
7	2	100085006	MACHINE SCREW PHILLIPS PAN HEAD M4 x 6
8	2	100085003	SCREW - M4 x 20mm REC STEEL

** Part number will require confirmation at time of ordering.

4.35. SIGMA COIN HANDLING ASSY 201757

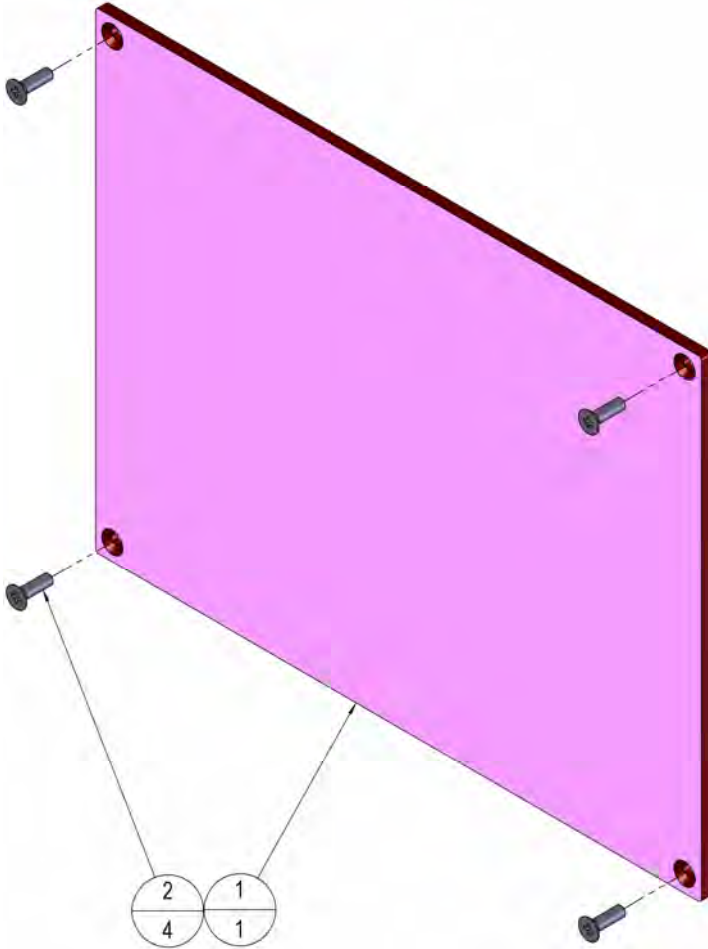


ITEM No.	QTY.	PART No.	DESCRIPTION
1	1	194038	SIGMA CASH MECH HOUSING
2	1	194039	SIGMA CASH BOX
3	1	135576	COIN ENTRY MOULDING UNIVERSAL
4	1	196358	COIN ENTRY CHUTE
5	1	135525	COIN RETURN BUTTON UNIVERSAL
6	1	194007	SIGMA COIN ENTRY PANEL
7	1	196452	COIN RETURN ROD UNIVERSAL

8	1	100035404	LEVER-COIN RETURN-BLACK
9	1	100089001	REJECT SPRING
10	1	194200	COIN RETURN BEZEL
11	1	194201	COIN RETURN CUP
12	1	194202	COIN RETURN FLAP
13	1	194136	SIGMA CASH SECURITY COVER
14	1	194138	HINGE 257 LONG
15	4	185331	SCREW - M3 x 10 LG CSK POZI
16	4	185306	SCREW - M4 X 10 LG CSK REC POSI STEEL
17	3	100086003	Nyloc Nut M4
18	12	186093	NUT M4 SERRATED FLANGED
19	1	100088001	ECC 8 n8 EXTERNAL CIRCLIP
20	1	100087006	WASHER - M4 INTERNAL SHAKEPROOF STEEL
21	3	100085003	SCREW - M4 x 20mm REC STEEL
22	3	100085091	SCREW - M4 X 12 REC PAN STEEL
23	4	100087004	WASHER - M4 C STEEL Z/PLTD
24	3	100085028	SCREW - No.6 x 3/8" PAN REC SELF TAP AB

N.B. 194103E – ‘USER INSTRUCTION LABEL - UNIVERSAL WVS’ is the standard instruction label to be used. The German version is 194103B.

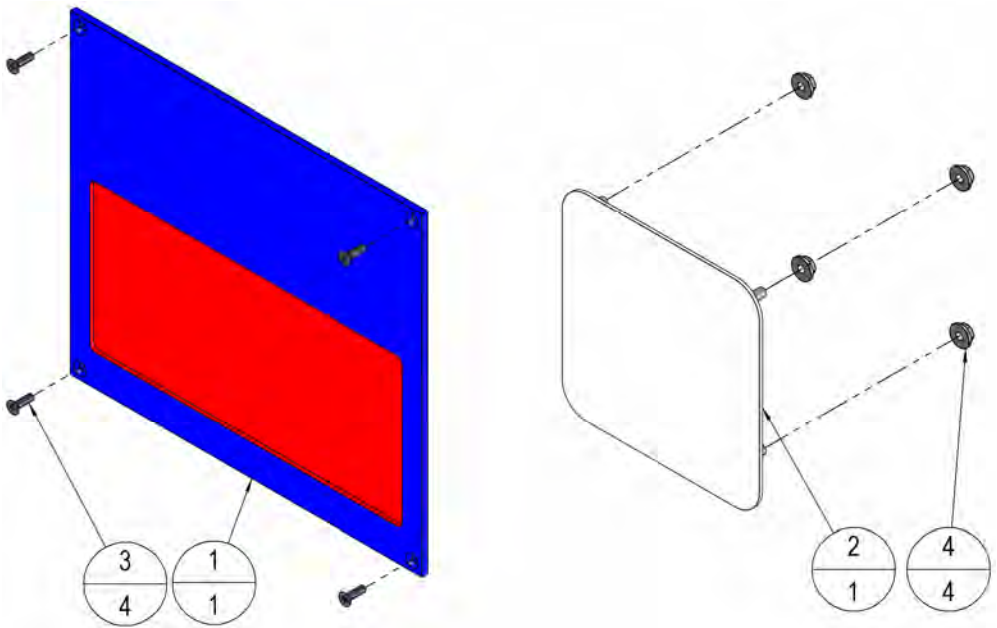
4.36. SIGMA CASHLESS BLANKING KIT 201793



ITEM No.	QTY.	PART No.	DESCRIPTION
1	1	194063F**	SIGMA CASHLESS BLANKING PLATE
2	4	185331	SCREW - M3 x 10 LG CSK POZI

** Part number will require confirmation at time of ordering.

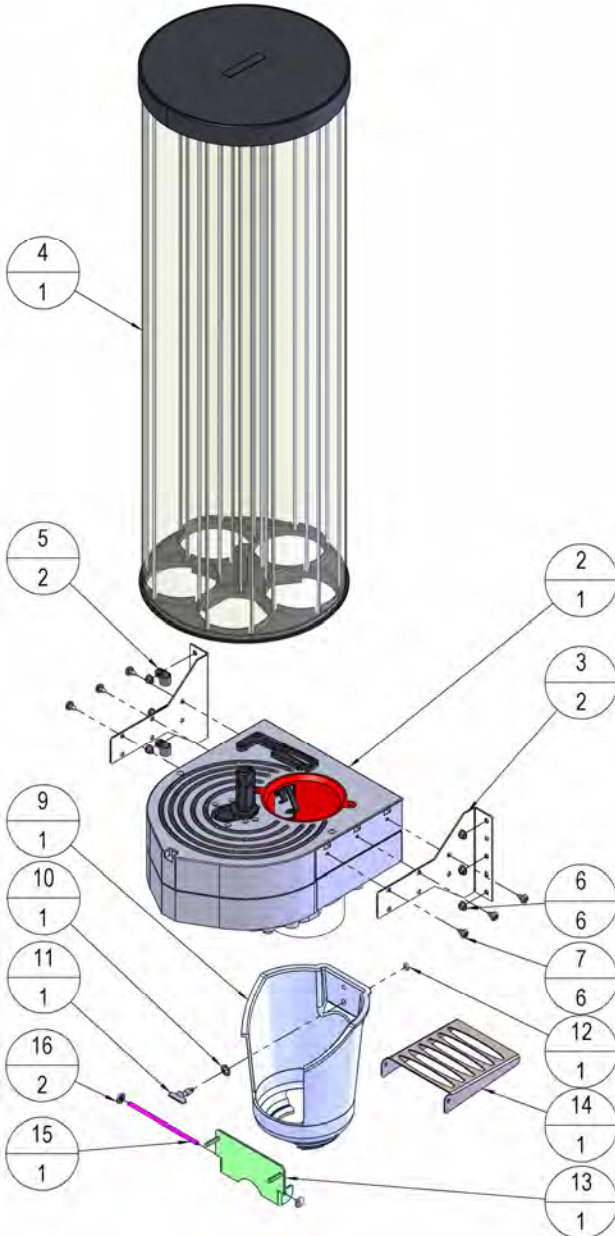
4.37. SIGMA CASH BLANKING KIT 201786



ITEM No.	QTY.	PART No.	DESCRIPTION
1	1	194065	COIN ENTRY BLANKING PANEL SIGMA
2	1	100090386	BLANKING PLATE - REJECT BEZEL
3	4	185331	SCREW - M3 x 10 LG CSK POZI
4	4	186093	NUT M4 SERRATED FLANGED

N.B. 194103E – ‘USER INSTRUCTION LABEL - UNIVERSAL WVS’ is the standard instruction label to be used. The German version is 194103B.

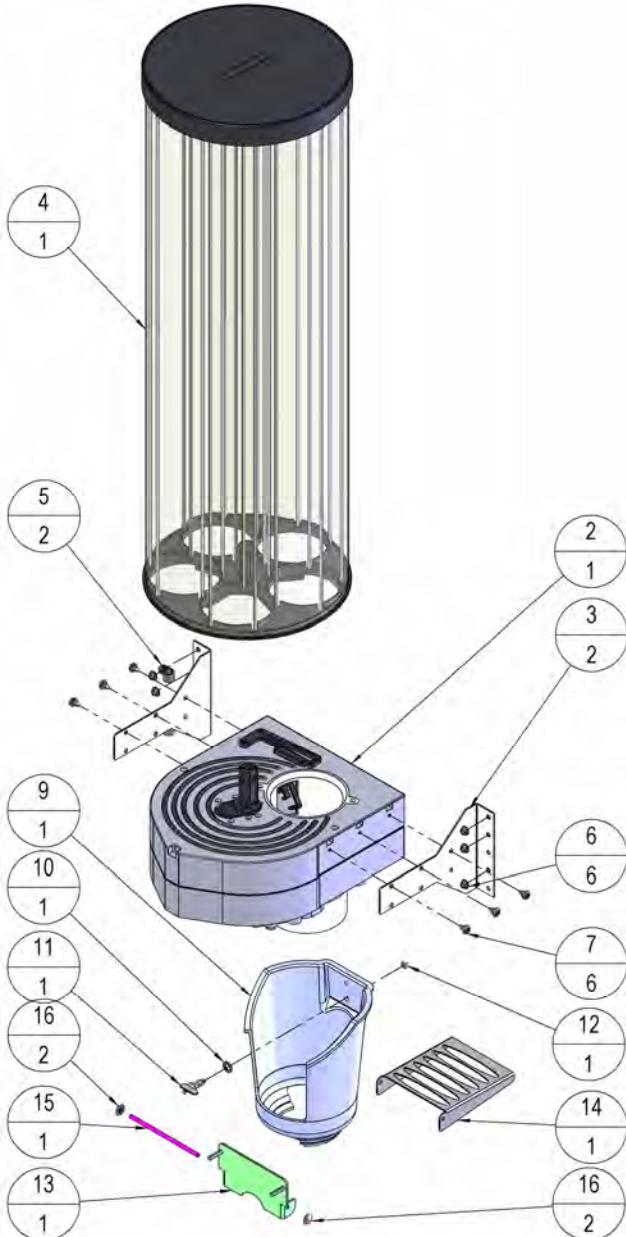
4.38. SIGMA CUP DROPPER 70MM KIT 201763



SIGMA CUP DROPPER 70MM KIT 201763 (cont')

ITEM No.	QTY.	PART No.	DESCRIPTION
1	1	201743	CUP UNIT ASSY 70MM SIGMA
2	1	175151	CUP UNIT 24V DC PRELUDE - 70mm
3	2	190077	BRKT CUP UNIT ACCOLADE SOLO ENCORE
4	1	175157	CUP TURRET 630H 70/73mm CUP C/W LID & COVER
5	2	100034049	P CLIP - BLACK NX4
6	6	186093	NUT M4 SERRATED FLANGED
7	6	100085061	SCREW - No.10 x 3/8" STEEL BZP PAN REC SELF TAP TYPE 'B'
8	1	201767	SIGMA CUP CHUTE 70mm ASSY
9	1	194092	SIGMA CUP CHUTE 70mm
10	1	100087031	WASHER-M6 STEEL FORM B
11	1	100088048	STUD - QTR TURN RELEASE
12	1	100047106	O RING - NITRILE 4 x 2 x 70 SHORE
13	1	196656	HINGE PLATE FOR CUP PLATFORM
14	1	196655	CUP PLATFORM INT/ULT/ESP
15	1	196657	PIN FOR CUP PLATFORM ASSEMBLY
16	2	188123	CAP - CLOSED RETAINING FIXING 4mm

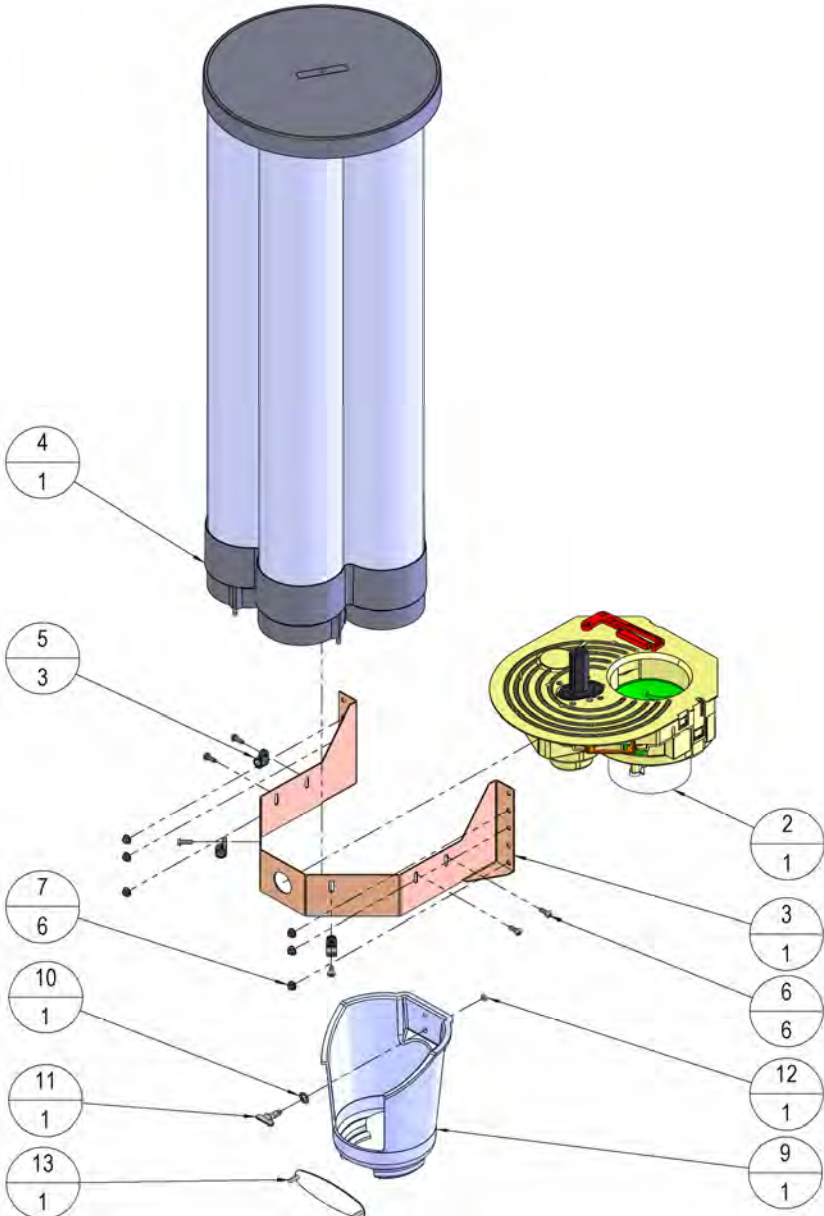
4.39. SIGMA CUP DROPPER KIT 73MM 201764



SIGMA CUP DROPPER KIT 73MM 201764 (cont')

ITEM No.	QTY.	PART No.	DESCRIPTION
1	1	201744	CUP UNIT ASSY 73MM SIGMA
2	1	175145	CUP UNIT 24V DC PRELUDE - 73mm
3	2	190077	BRKT CUP UNIT ACCOLADE SOLO ENCORE
4	1	175157	CUP TURRET 630H 70/73mm CUP C/W LID & COVER
5	2	100034049	P CLIP - BLACK NX4
6	6	186093	NUT M4 SERRATED FLANGED
7	6	100085061	SCREW - No.10 x 3/8" STEEL BZP PAN REC SELF TAP TYPE 'B'
8	1	201768	SIGMA CUP CHUTE 70mm ASSY
9	1	194093	SIGMA CUP CHUTE 73mm
10	1	100087031	WASHER-M6 STEEL FORM B
11	1	100088048	STUD - QTR TURN RELEASE
12	1	100047106	O RING - NITRILE 4 x 2 x 70 SHORE
13	1	196656	HINGE PLATE FOR CUP PLATFORM
14	1	196655	CUP PLATFORM INT/ULT/ESP
15	1	196657	PIN FOR CUP PLATFORM ASSEMBLY
16	2	188123	CAP - CLOSED RETAINING FIXING 4mm

4.40. SIGMA CUP DROPPER 80MM KIT 201766



SIGMA CUP DROPPER 80MM KIT 201766 (cont')

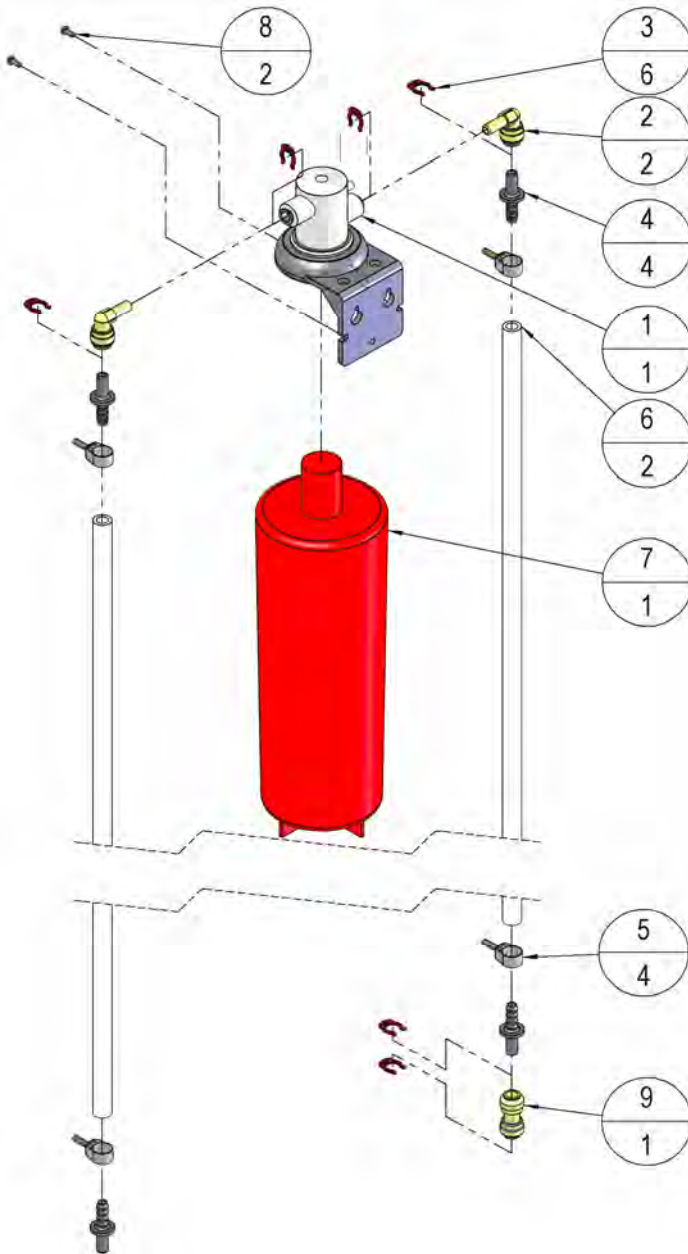
ITEM No.	QTY.	PART No.	DESCRIPTION
1	1	201771	SIGMA CUP UNIT ASSY 80MM
2	1	175156	CUP UNIT 24VDC 80MM - SERIES 672 SIGMA
3	1	194140	CUP UNIT BRACKET
4	1	175159	CUP TURRET 650H 80MM CW LID&COVER
5	3	100034049	P CLIP - BLACK NX4
6	6	100085091	SCREW - M4 X 12 REC PAN STEEL
7	6	186093	NUT M4 SERRATED FLANGED
8	1	201770	SIGMA CUP CHUTE 70mm ASSY
9	1	194095	SIGMA CUP CHUTE 80mm
10	1	100087031	WASHER-M6 STEEL FORM B
11	1	100088048	STUD - QTR TURN RELEASE
12	1	100047106	O RING - NITRILE 4 x 2 x 70 SHORE
13	1	100096164	SPREADER PLATE - CUP STATION SOLO /ADD-ON

4.41. REGION/LANGUAGE KITS

Pt No.	QTY	Description
201673		UK SPECIFICATION
111201	1	CABLE - MAINS 13A PLUG ANGLED 16A ADAPT
100038119	3	LABEL-DANGER ISOLATE UK
350103	1	SIGMA INSTALLATION / OPERATOR MANUAL
139302	1	SIGMA INTERNAL LABEL SET
138577	1	LABEL HOT WATER CAUTION HOSE/CUP STATION

Pt No.	QTY	Description
201674		GERMAN SPECIFICATION
111202	1	MOULDED CABLE 16 AMP ANGLED SCHUKO EUROP
100038198	3	LABEL-DANGER ISOLATE GERMAN
350104	1	SIGMA INSTALL/OPERATOR MANUAL GERMAN
139302	1	SIGMA INTERNAL LABEL SET
138583	1	LABEL HOT WATER CAUTION GERMAN RINSE HOS

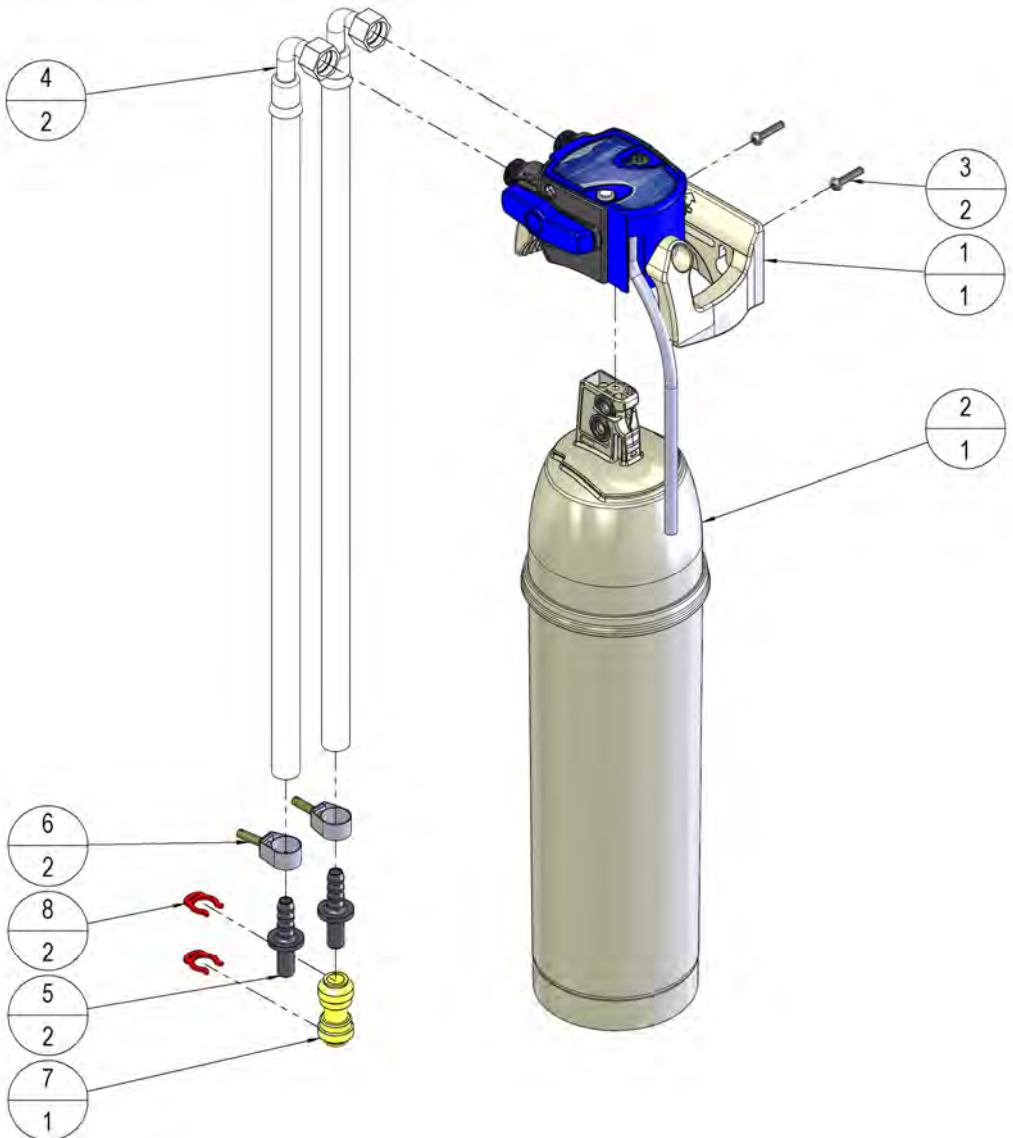
4.42. SIGMA CUNO KIT 201772



SIGMA CUNO KIT 201772 (cont')

ITEM No.	QTY.	PART No.	DESCRIPTION
1	1	149057	CUNO FILTER HEAD VH3 - PUSH FIT
2	2	148210	STEM TO ELBOW 3/8 to 3/8
3	6	145104	JOHN GUEST LOCKING CLIP 3/8" RED
4	4	100054076	STEM BARB 3/8 x 3/8 INCH
5	4	100088014	CLIP - UNEX No.17
6	2	100046011	TUBING - VENDFLEX 10 x 16mm (0.79 metres)
7	1	149056	CUNO FILTER 165BN T
8	2	100085004	SCREW - M4 x 10mm REC PAN
9	1	145103	CONNECTOR-3/8" EQUAL STRAIGHT WATER INLE

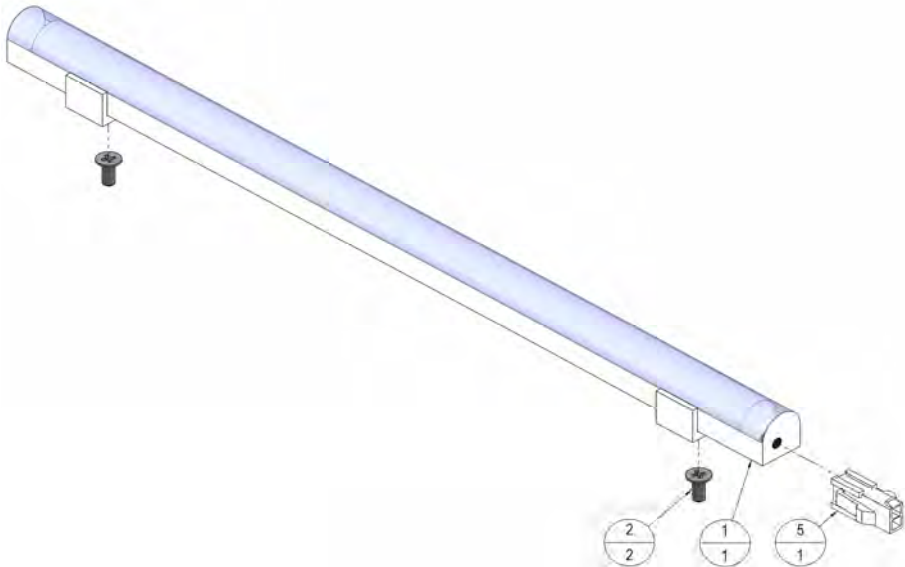
4.43. PURITY C 150 HEAD & 1 CARTRIDGE 201814



PURITY C 150 HEAD & 1 CARTRIDGE 201814 (cont')

ITEM No.	QTY.	PART No.	DESCRIPTION
1	1	149069	BRITA PURITY C CONNECTION HEAD
2	1	149070	BRITA PURITY C 150 FILTER
3	2	100085003	SCREW - M4 x 20mm REC STEEL
4	2	148226	HOSE INPUT 1.5 BRITA ENCORE
5	2	100054076	STEM BARB 3/8 x 3/8 INCH
6	2	100088014	CLIP - UNEX No.17
7	1	145103	CONNECTOR-3/8" EQUAL STRAIGHT WATER INLE
8	2	145104	JOHN GUEST LOCKING CLIP 3/8" RED

4.44. SIGMA LED SERVICE LIGHT KIT 201795



ITEM No.	QTY.	PART No.	DESCRIPTION
1	1	117254	LIGHT LED STRIP 24V
2	2	185306	SCREW - M4 X 10 LG CSK REC POSI STEEL
3	2	117255	2 METRE 24V DC POWER CABLE
4	2	10001013	PIN CONTACT 16AWG MOLEX (NOT SHOWN)
5	1	100010114	2 WAY DUAL ROW MOLEX CONNECTOR

4.45. OPTIONAL ADD-ONS

OPTIONAL ADD-ONS	
<i>IrDA Option</i>	
201806	IrDA KIT (Infrared)
<i>Hosting Option</i>	
246513	DC/SLAVE HOSTING KIT
<i>Free Vend Key Switch Option</i>	
201676	FREE VEND KEY SWITCH KIT
<i>Security Options</i>	
200045067	Cash box Lock and Keys
196884	Lockable Cash Bag Safer Systems
201804	DOOR SECURITY KIT
201686	SIGMA - CUP SECURITY KIT
<i>Large 4kg Bean Canister</i> <small>ONLY WHEN BTC BREWER MACHINE TYPE SELECTED</small>	
161455	CANISTER LARGE BEAN 420H 180DEG SHUT OFF
<i>Pump and Tank Kit Option</i> <small>INTERNAL FITMENT OPTION ONLY</small>	
201687	INTERNAL PUMP AND TANK KIT (25L)
<i>Jug Option</i>	
135629	THERMAL JUG (5 CUP CAPACITY)
<i>Hygiene Kit Options</i>	
912434	SIGMA INSTANT ONLY HYGIENE KIT
912445	SIGMA MULTI-BREWER HYGIENE KIT
201802	PACK BREWER BAND FILTERS x 5
201803	BREWER BAND FILTER X1